

WATER VALVE

飲水電磁閥



WATER VALVE 飲水電磁閥

INDEX 目錄

MODEL 型號	CONTENT 內容	PAGE 頁數
CS019-E-180-S-R-HF	Hot fluid water valve with water pressure type - Full-wave rectifier Normally closed Stainless steel bush 熱流體水壓型電磁閥—全波整流常閉 不鏽鋼襯套	3
CS019-I-23-2	Mini 1/4" quick union with water pressure type - AC and DC Normally closed 迷你2分快接水壓型電磁閥—交直流常閉	4
CS019-I-23-2-W	Mini 1/4" quick union with water pressure type - AC and DC Normally closed Lead wire 迷你2分快接水壓型電磁閥—交直流常閉 引線	5
CS019-I-23-2-S-HF-W	Mini 1/4" quick union with water pressure type - AC and DC Normally closed Stainless steel bush Hot fluid Lead wire 迷你2分快接水壓型電磁閥—交直流常閉 不鏽鋼襯套 熱流體 引線	6
CS019-I-180	Mini 3/8" quick union with water pressure type - AC and DC Normally closed 迷你3分快接水壓型電磁閥—交直流常閉	7
CS019-I-180-3-W	Mini 1/4" quick union with water pressure type - AC and DC Normally closed Lead wire 迷你2分快接水壓型電磁閥—交直流常閉 引線	8
CS019-I-180-3-S-HF	Mini 1/4" quick union with water pressure type - AC and DC Normally closed Stainless steel bush Hot fluid Lead wire 迷你2分快接水壓型電磁閥—交直流常閉 不鏽鋼襯套 熱流體 引線	9
CS019-H-180-S-HF	Hot fluid water valve with water pressure type - DC Normally open Stainless steel bush 熱流體水壓型電磁閥— 直流常開 不鏽鋼襯套	10
CS019-G-R	Water valve with no water pressure type - Full-wave rectifier Normally closed 無水壓型電磁閥—全波整流常閉	11
CS019-F	Direct acting with water pressure type - AC and DC Normally closed 直動式水壓型電磁閥—交直流常閉	12
CS019-E-90	Diaphragm water valve with water pressure type - AC and DC Normally closed 隔膜式水壓型電磁閥—交直流常閉	13
CS019-E-180	Diaphragm water valve with water pressure type - AC and DC Normally closed 隔膜式水壓型電磁閥—交直流常閉	14

WATER VALVE 飲水電磁閥

INDEX 目錄

MODEL 型號	CONTENT 內容	PAGE 頁數
CS019-E-180-W	Diaphragm with water pressure type - AC and DC Normally closed Lead wire 隔膜式水壓型一交直流常閉 引線	15
CS019-E-180-S-HF	Hot fluid water valve with water pressure type - DC Normally closed Stainless steel bush 熱流體水壓型電磁閥一直流常閉 不鏽鋼襯套	16
CS019-D	Water valve with no water pressure type - DC Normally open 無水壓型電磁閥一直流常開	17
CS019-C	Water valve with no water pressure type - DC Normally closed 無水壓型電磁閥一直流常閉	18
CS019-J-90-2-1120	1/4" quick union 1in 2out with water pressure type - AC and DC Normally closed 2分快接1進2出水壓型電磁閥一交直流常閉	19
CS019-J-90-2-1120-W	1/4" quick union 1in 2out with water pressure type - AC and DC Normally closed Lead wire 2分快接1進2出水壓型電磁閥一交直流常閉 引線	20
CS019-J-90-2-1130	1/4" quick union 1in 3out with water pressure type - AC and DC Normally closed 2分快接1進3出水壓型電磁閥一交直流常閉	21
CS019-J-90-2-1130-W	1/4" quick union 1in 3out with water pressure type - AC and DC Normally closed Lead wire 2分快接1進 出水壓型電磁閥一交直流常閉 引線	22

HOT FLUID WATER VALVE WITH WATER PRESSURE TYPE — FULL-WAVE RECTIFIED NORMALLY CLOSED STAINLESS STEEL BUSH

熱流體水壓型電磁閥 — 全波整流常閉 不鏽鋼襯套

Introduction

The plastic valve body is made of compound material with glass fiber added, which is specially designed to provide water valves for hot water systems for maker of water dispensers, coffee machines.

Features

- The valve body is made of compound material with glass fiber added, and the temperature of the fluid passing through the valve body can reach 120°C.
- The torque strength of the screw thread of the valve body can reach 550kgf-cm, which is equal to using a stainless steel collar to cover the outer ring of the water inlet of the non-compound plastic valve body.
- The flow rate is large, up to 7 liters/min under the condition of 1 kg water pressure, and when the 8 kg water pressure is applied, the water output can reach 16 liters/min.
- Input AC voltage rectified by full wave becomes DC voltage, the magnetic force generated by this DC voltage coil will not cause the Plunger to shake, the machine installing this DC coil valve cause no noise during operation.

Uses

RO machine, Water dispenser, Ice maker, Coffee machine.

前言

塑膠閥體由添加玻璃纖維之複合材料製成，專為飲水機、咖啡機等業者提供熱開水系統之電磁閥。

特點

- 閥體由添加玻璃纖維之複合材料做成，通過閥體的流體溫度可達120°C。
- 閥體螺牙之扭力強度可達550kgf-cm，等同於用不鏽鋼套環予以套在非複合材料作成的塑膠閥體的進水口的外環上。
- 流量大，在1公斤水壓時出水量可達7公升/分鐘，在施行8公斤水壓時則出水量可達16公升/分鐘。
- 輸入交流電壓經全波整流後成為直流電壓，此直流電壓灌入線圈後所產生的磁力不會引起動態導磁軸(Plunger)抖動，此直流線圈電磁閥裝在機器中於運作時不會有雜音產生。

CS019-E-180-S-R-HF

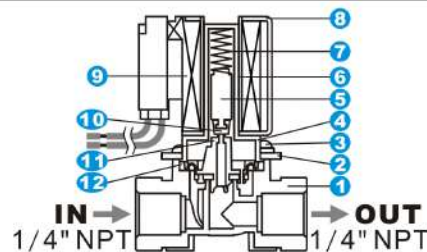
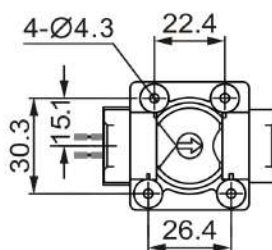
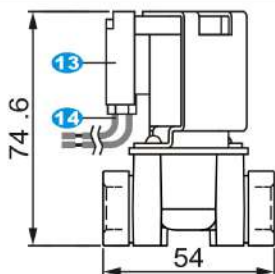
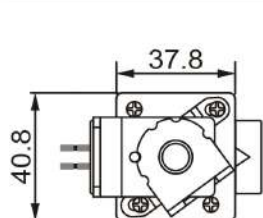
用途

RO機、飲水機、
製冰機、咖啡機。

Technical specifications

Technical specifications		規格
Model	CS019-E-180-S-R-HF	型號
Name	Hot fluid water valve with water pressure type - Full-wave rectified Normally closed Stainless steel bush 熱流體水壓型電磁閥 — 全波整流常閉 不鏽鋼襯套	產品名稱
Pressure	0.2kgf/cm ² ~ 8kgf/cm ²	使用壓力
Dosage	7ℓ/min/(1kgf/cm ²) ~ 16ℓ/min/(8kgf/cm ²)	流量
Fluid temperature	0°C ~ 120°C	流體溫度
Voltage	AC 110V & 230V	使用電壓
Power	AC 7W±10%	消耗功率
Operation type	Normally closed 常閉一種	操作形式

Inner structures	內部構造
HOUSING	① 塑膠雙通
HOLDER	② 固定鐵片
SCREW	③ 螺絲
STAINLESS STEEL BUSH	④ 不鏽鋼襯套
SHAFT	⑤ 導磁軸
SHELL	⑥ 導磁圓框
SPRING	⑦ 彈簧
YOKE	⑧ 軛
COIL	⑨ 線圈
DOOR	⑩ 矽膠門塞
VALVE HOLDER	⑪ 閥架
GASKET	⑫ 矽膠墊片
RECTIFIER KIT	⑬ 全波整流組件
PVC WIRE	⑭ PVC電線



Unit (單位) : mm

MINI 1/4" QUICK UNION WITH WATER PRESSURE TYPE - AC & DC NORMALLY CLOSED

迷你2分快接水壓型電磁閥 一交直流常閉

Introduction

The miniature water valves is specially designed for machines with small spaces inside, the housing is made of NSF certified plastic materials.

Features

- The water inlet and outlet are in the same direction, which is more suitable for installation in narrow spaces.
- Quickly connecting can save machine assembly time.
- The flow rate is large, up to 5 liters/min under the condition of 1 kg water pressure, and when the 8 kg water pressure is applied, the water output can reach 14 liters/min.

Uses

RO machine, Water dispenser, Ice maker, Coffee machine.

前言

迷你小型化電磁閥專為內部窄小空間的機器而設計，塑膠閥體由通過NSF認證之塑膠做成。

特點

- 進出水口在同方向更適合窄小空間裝置。
- 快速連接可節省機器組裝時間。
- 流量大，在1公斤水壓時出水量可達5公升/分鐘，在施行8公斤水壓時則出水量可達14公升/分鐘。

用途

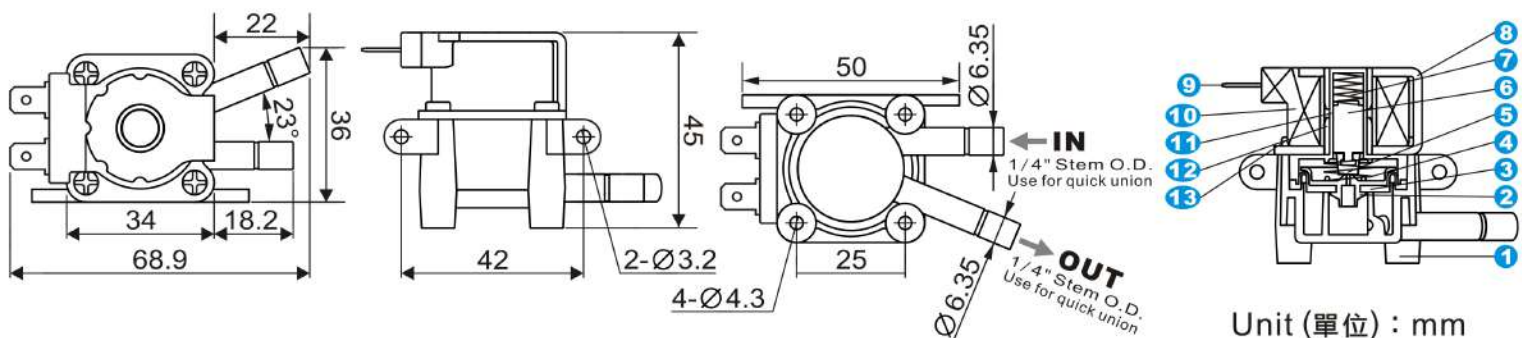
RO機、飲水機、製冰機、咖啡機。



CS019-I-23-2

Technical specifications		規格
Model	CS019-I-23-2	型號
Name	Mini 1/4" quick union with water pressure type - AC and DC Normally closed 迷你2分快接水壓型電磁閥 一交直流常閉	產品名稱
Pressure	0.2kgf/cm ² ~ 8kgf/cm ²	使用壓力
Dosage	5l/min/(1kgf/cm ²) ~ 14l/min/(8kgf/cm ²)	流量
Fluid temperature	0°C ~ 100°C	流體溫度
Voltage	DC 12V & 24V & 36V, AC 110V & 230V	使用電壓
Power	DC 6W ± 10%, AC 5W ± 10%	消耗功率
Operation type	Normally closed 常閉一種	操作形式

Inner structures	內部構造
HOUSING	① 塑膠雙通
VALVE HOLDER	② 閥架
GASKET	③ 矽膠墊片
SPRING	④ 彈簧
DOOR	⑤ 矽膠門塞
SHAFT	⑥ 導磁軸
SPRING	⑦ 彈簧
YOKE	⑧ 軛
AMP 250	⑨ 250公端子
COIL	⑩ 線圈
BUSH	⑪ 襯套
SHELL	⑫ 導磁圓框
SCREW	⑬ 螺絲



Unit (單位) : mm

MINI 1/4" QUICK UNION WITH WATER PRESSURE TYPE - AC & DC NORMALLY CLOSED LEAD WIRE

迷你2分快接水壓型電磁閥
一交直流常閉 引線

Introduction

The miniature water valves is specially designed for machines with small spaces inside, the housing is made of NSF certified plastic materials.

Features

- The water inlet and outlet are in the same direction, which is more suitable for installation in narrow spaces.
- Quickly connecting can save machine assembly time.
- The flow rate is large, up to 5 liters/min under the condition of 1 kg water pressure, and when the 8 kg water pressure is applied, the water output can reach 14 liters/min.

Uses

RO machine, Water dispenser, Ice maker, Coffee machine.

前言

迷你小型化電磁閥專為內部窄小空間的機器而設計，塑膠閥體由通過NSF認證之塑膠做成。

特點

- 進出水口在同方向更適合窄小空間裝置。
- 快速連接可節省機器組裝時間。
- 流量大，在1公斤水壓時出水量可達5公升/分鐘，在施行8公斤水壓時則出水量可達14公升/分鐘。

用途

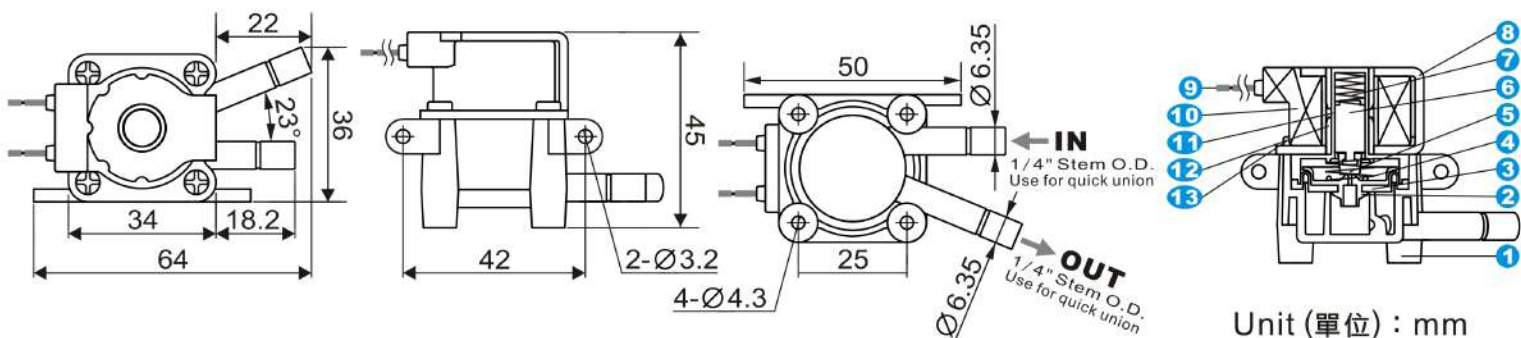
RO機、飲水機、製冰機、咖啡機。



CS019-I-23-2-W

Technical specifications		規格
Model	CS019-I-23-2-W	型號
Name	Mini 1/4" quick union with water pressure type - AC and DC Normally closed Lead wire 迷你2分快接水壓型電磁閥 一交直流常閉 引線	產品名稱
Pressure	0.2kgf/cm ² ~ 8kgf/cm ²	使用壓力
Dosage	5l/min/(1kgf/cm ²) ~ 14l/min/(8kgf/cm ²)	流量
Fluid temperature	0°C ~ 100°C	流體溫度
Voltage	DC 12V & 24V & 36V, AC 110V & 230V	使用電壓
Power	DC 6W ± 10%, AC 5W ± 10%	消耗功率
Operation type	Normally closed 常閉一種	操作形式

Inner structures	內部構造
HOUSING	① 塑膠雙通
VALVE HOLDER	② 閥架
GASKET	③ 矽膠墊片
SPRING	④ 彈簧
DOOR	⑤ 矽膠門塞
SHAFT	⑥ 導磁軸
SPRING	⑦ 彈簧
YOKE	⑧ 軛
PVC WIRE	⑨ PVC電線
COIL	⑩ 線圈
BUSH	⑪ 襯套
SHELL	⑫ 導磁圓框
SCREW	⑬ 螺絲



MINI 1/4" QUICK UNION WITH WATER PRESSURE TYPE

— AC & DC NORMALLY CLOSED STAINLESS STEEL BUSH HOT FLUID LEAD WIRE

迷你2分快接水壓型電磁閥
— 交直流常閉 不鏽鋼襯套 熱流體 引線



CS019-I-23-2-S-HF-W

Introduction

The miniature water valves is specially designed for machines with small spaces inside, compound plastic valve body provide water valves for hot water systems.

Features

- The water inlet and outlet are in the same direction, which is more suitable for installation in narrow spaces.
- Quickly connecting can save machine assembly time.
- The valve body is made of compound material with glass fiber added, and the temperature of the fluid passing through the valve body can reach 120°C.
- The flow rate is large, up to 5 liters/min under the condition of 1 kg water pressure, and when the 8 kg water pressure is applied, the water output can reach 14 liters/min.

Uses

RO machine, Water dispenser, Ice maker, Coffee machine.

前言

迷你小型化電磁閥專為內部窄小空間的機器而設計，塑膠閥體由添加玻璃纖維之複合材料製成可提供熱開水系統之電磁閥。

特點

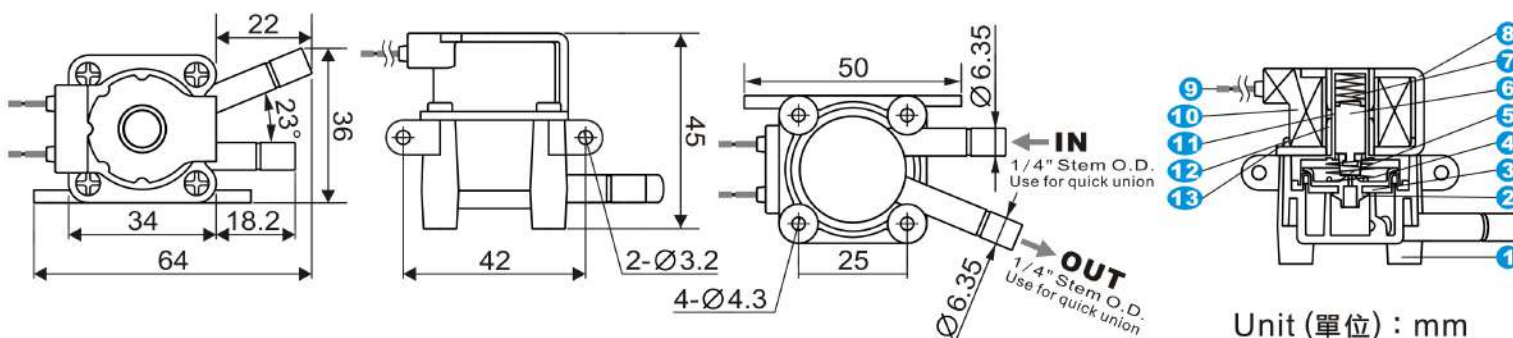
- 進出水口在同方向更適合窄小空間裝置。
- 快速連接可節省機器組裝時間。
- 閥體由添加玻璃纖維之複合材料做成，通過閥體的流體溫度可達120°C。
- 流量大，在1公斤水壓時出水量可達5公升/分鐘，在施行8公斤水壓時則出水量可達14公升/分鐘。

用途

RO機、飲水機、製冰機、咖啡機。

Technical specifications		規格
Model	CS019-I-23-2-S-HF-W	型號
Name	Mini 1/4" quick union with water pressure type - AC and DC Normally closed Stainless steel bush Hot fluid Lead wire 迷你2分快接水壓型電磁閥 — 交直流常閉 不鏽鋼襯套 熱流體 引線	產品名稱
Pressure	0.2kgf/cm ² ~ 8kgf/cm ²	使用壓力
Dosage	5l/min/(1kgf/cm ²) ~ 14l/min/(8kgf/cm ²)	流量
Fluid temperature	0°C ~ 120°C	流體溫度
Voltage	DC 12V & 24V & 36V, AC 110V & 230V	使用電壓
Power	DC 6W ± 10%, AC 5W ± 10%	消耗功率
Operation type	Normally closed 常閉一種	操作形式

Inner structures	內部構造
HOUSING	① 塑膠雙通
VALVE HOLDER	② 閥架
GASKET	③ 矽膠墊片
SPRING	④ 彈簧
DOOR	⑤ 矽膠門塞
SHAFT	⑥ 導磁軸
SPRING	⑦ 彈簧
YOKE	⑧ 軛
PVC WIRE	⑨ PVC電線
COIL	⑩ 線圈
STAINLESS STEEL BUSH	⑪ 不鏽鋼襯套
SHELL	⑫ 導磁圓框
SCREW	⑬ 螺絲



Unit (單位) : mm

MINI 3/8" QUICK UNION WITH WATER PRESSURE TYPE - AC & DC NORMALLY CLOSED

迷你3分快接水壓型電磁閥 — 交直流常閉



CS019-I-180-3

Introduction

The miniature water valves is specially designed for machines with small spaces inside, the housing is made of NSF certified plastic materials.

Features

- Suitable for installation in narrow spaces.
- Quickly connecting can save machine
- The flow rate is large, up to 9 liters/min under the condition of 1 kg water pressure, and when the 8 kg water pressure is applied, the water output can reach 20 liters/min.

Uses

RO machine, Water dispenser, Ice maker, Coffee machine.

前言

迷你小型化電磁閥專為內部窄小空間的機器而設計，塑膠閥體由通過NSF認證之塑膠做成。

特點

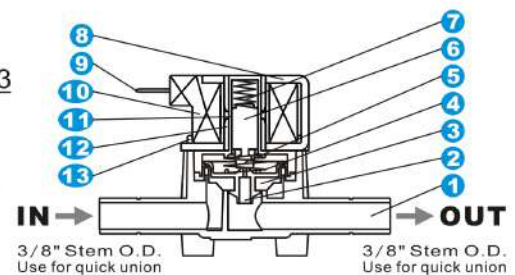
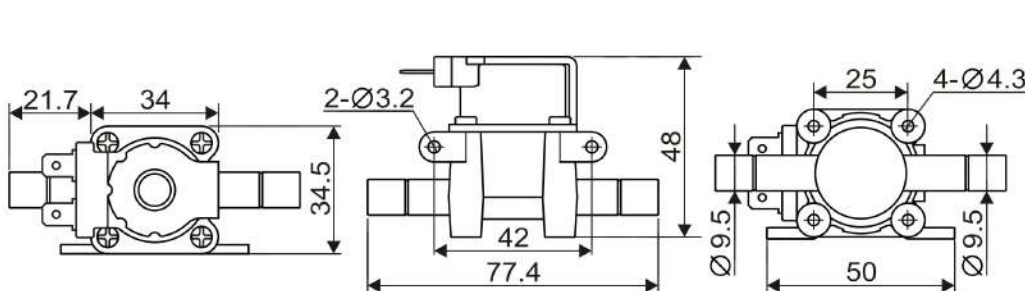
- 適合窄小空間裝置。
- 快速連接可節省機器組裝時間。
- 流量大，在1公斤水壓時出水量可達9公升/分鐘，在施行8公斤水壓時則出水量可達20公升/分鐘。

用途

RO機、飲水機、製冰機、咖啡機。

Technical specifications		規格
Model	CS019-I-180-3	型號
Name	Mini 3/8" quick union with water pressure type - AC and DC Normally closed 迷你3分快接水壓型電磁閥 — 交直流常閉	產品名稱
Pressure	0.2kgf/cm ² ~ 8kgf/cm ²	使用壓力
Dosage	9ℓ/min/(1kgf/cm ²) ~ 20ℓ/min/(8kgf/cm ²)	流量
Fluid temperature	0°C ~ 100°C	流體溫度
Voltage	DC 12V & 24V & 36V, AC 110V & 230V	使用電壓
Power	DC 6W ± 10%, AC 5W ± 10%	消耗功率
Operation type	Normally closed 常閉一種	操作形式

Inner structures	內部構造
HOUSING	① 塑膠雙通
VALVE HOLDER	② 閥架
GASKET	③ 矽膠墊片
SPRING	④ 彈簧
DOOR	⑤ 矽膠門塞
SHAFT	⑥ 導磁軸
SPRING	⑦ 彈簧
YOKE	⑧ 軛
AMP 250	⑨ 250公端子
COIL	⑩ 線圈
BUSH	⑪ 襯套
SHELL	⑫ 導磁圓框
SCREW	⑬ 螺絲



Unit (單位) : mm

MINI 3/8" QUICK UNION WITH WATER PRESSURE TYPE - AC & DC NORMALLY CLOSED LEAD WIRE

迷你3分快接水壓型電磁閥
一交直流常閉 引線

Introduction

The miniature water valves is specially designed for machines with small spaces inside, the housing is made of NSF certified plastic materials.

Features

- Suitable for installation in narrow spaces.
- Quickly connecting can save machine
- The flow rate is large, up to 9 liters/min under the condition of 1 kg water pressure, and when the 8 kg water pressure is applied, the water output can reach 20 liters/min.

Uses

RO machine, Water dispenser, Ice maker, Coffee machine.

前言

迷你小型化電磁閥專為內部窄小空間的機器而設計，塑膠閥體由通過NSF認證之塑膠做成。

特點

- 適合窄小空間裝置。
- 快速連接可節省機器組裝時間。
- 流量大，在1公斤水壓時出水量可達9公升/分鐘，在施行8公斤水壓時則出水量可達20公升/分鐘。

用途

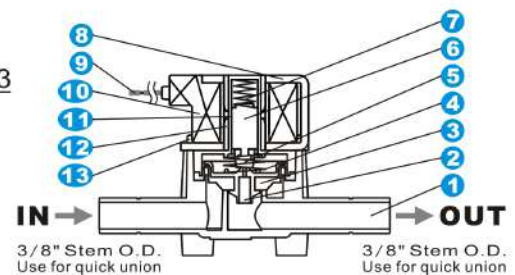
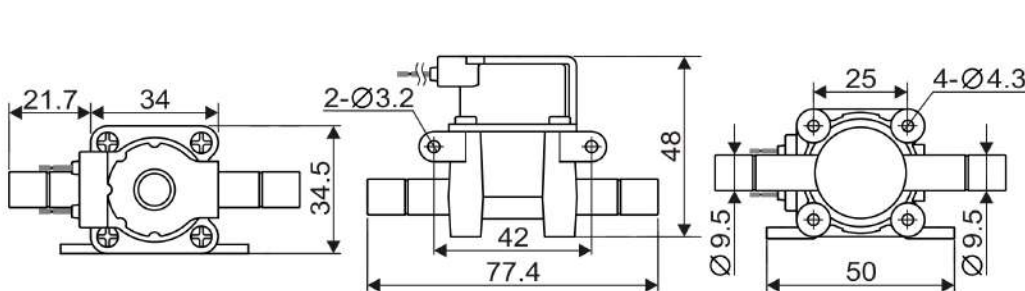
RO機、飲水機、製冰機、咖啡機。



CS019-I-180-3-W

Technical specifications		規格
Model	CS019-I-180-3-W	型號
Name	Mini 3/8" quick union with water pressure type - AC and DC Normally closed Lead wire 迷你3分快接水壓型電磁閥 一交直流常閉 引線	產品名稱
Pressure	0.2kgf/cm ² ~ 8kgf/cm ²	使用壓力
Dosage	9ℓ/min/(1kgf/cm ²) ~ 20ℓ/min/(8kgf/cm ²)	流量
Fluid temperature	0°C ~ 100°C	流體溫度
Voltage	DC 12V & 24V & 36V, AC 110V & 230V	使用電壓
Power	DC 6W ± 10%, AC 5W ± 10%	消耗功率
Operation type	Normally closed 常閉一種	操作形式

Inner structures	內部構造
HOUSING	① 塑膠雙通
VALVE HOLDER	② 閥架
GASKET	③ 矽膠墊片
SPRING	④ 彈簧
DOOR	⑤ 矽膠門塞
SHAFT	⑥ 導磁軸
SPRING	⑦ 彈簧
YOKE	⑧ 軛
PVC WIRE	⑨ PVC電線
COIL	⑩ 線圈
BUSH	⑪ 襯套
SHELL	⑫ 導磁圓框
SCREW	⑬ 螺絲



Unit (單位) : mm

MINI 3/8" QUICK UNION WITH WATER PRESSURE TYPE

— AC & DC NORMALLY CLOSED STAINLESS STEEL BUSH HOT FLUID LEAD WIRE

迷你3分快接水壓型電磁閥
— 交直流常閉 不鏽鋼襯套 熱流體 引線



CS019-I-180-3-S-HF-W

Introduction

The miniature water valves is specially designed for machines with small spaces inside, compound plastic valve body provide water valves for hot water systems.

Features

- Suitable for installation in narrow spaces.
- Quickly connecting can save machine assembly time.
- The valve body is made of compound material with glass fiber added, and the temperature of the fluid passing through the valve body can reach 120°C.
- The flow rate is large, up to 9 liters/min under the condition of 1 kg water pressure, and when the 8 kg water pressure is applied, the water output can reach 20 liters/min.

Uses

RO machine, Water dispenser, Ice maker, Coffee machine.

前言

迷你小型化電磁閥專為內部窄小空間的機器而設計，塑膠閥體由添加玻璃纖維之複合材料製成可提供熱開水系統之電磁閥。

特點

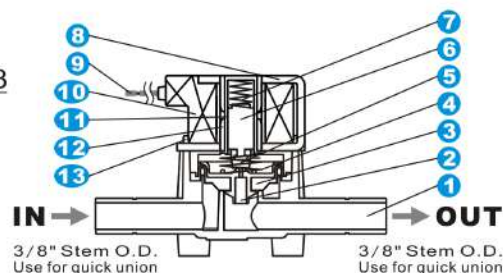
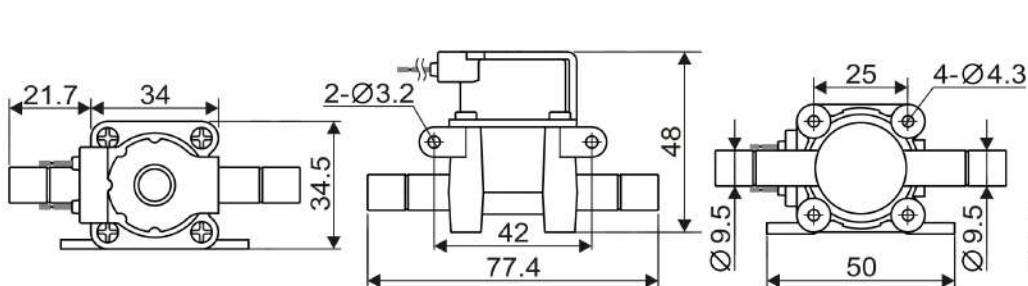
- 適合窄小空間裝置。
- 快速連接可節省機器組裝時間。
- 閥體由添加玻璃纖維之複合材料做成，通過閥體的流體溫度可達120°C。
- 流量大，在1公斤水壓時出水量可達9公升/分鐘，在施行8公斤水壓時則出水量可達20公升/分鐘。

用途

RO機、飲水機、製冰機、咖啡機。

Technical specifications		規格
Model	CS019-I-180-3-S-HF-W	型號
Name	Mini 3/8" quick union with water pressure type - AC and DC Normally closed Stainless steel bush Hot fluid Lead wire 迷你3分快接水壓型電磁閥 — 交直流常閉 不鏽鋼襯套 熱流體 引線	產品名稱
Pressure	0.2kgf/cm ² ~ 8kgf/cm ²	使用壓力
Dosage	9ℓ/min/(1kgf/cm ²) ~ 20ℓ/min/(8kgf/cm ²)	流量
Fluid temperature	0°C ~ 120°C	流體溫度
Voltage	DC 12V & 24V & 36V, AC 110V & 230V	使用電壓
Power	DC 6W ± 10%, AC 5W ± 10%	消耗功率
Operation type	Normally closed 常閉一種	操作形式

Inner structures	內部構造
HOUSING	① 塑膠雙通
VALVE HOLDER	② 閥架
GASKET	③ 矽膠墊片
SPRING	④ 彈簧
DOOR	⑤ 矽膠門塞
SHAFT	⑥ 導磁軸
SPRING	⑦ 彈簧
YOKE	⑧ 軛
PVC WIRE	⑨ PVC電線
COIL	⑩ 線圈
STAINLESS STEEL BUSH	⑪ 不鏽鋼襯套
SHELL	⑫ 導磁圓框
SCREW	⑬ 螺絲



Unit (單位) : mm

HOT FLUID WATER VALVE WITH WATER PRESSURE TYPE - DC NORMALLY OPEN STAINLESS STEEL BUSH

熱流體水壓型 一直流常開 不鏽鋼襯套



CS019-H-180-S-HF

Introduction

The plastic valve body is made of compound material with glass fiber added, which is specially designed to provide water valves for hot water systems for maker of water dispensers, coffee machines.

Features

- The valve body is made of compound material with glass fiber added, and the temperature of the fluid passing through the valve body can reach 120°C.
- The torque strength of the screw thread of the valve body can reach 550kgf-cm, which is equal to using a stainless steel collar to cover the outer ring of the water inlet of the non-compound plastic valve body.

Uses

RO machine, Water dispenser, Ice maker, Coffee machine.

前言

塑膠閥體由添加玻璃纖維之複合材料製成，專為飲水機、咖啡機等業者提供熱開水系統之電磁閥。

特點

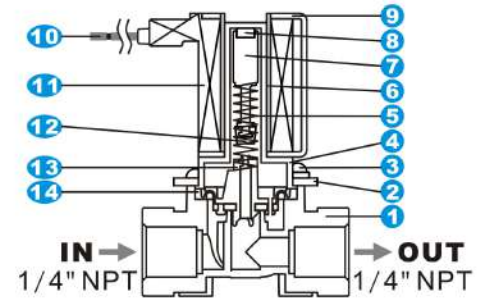
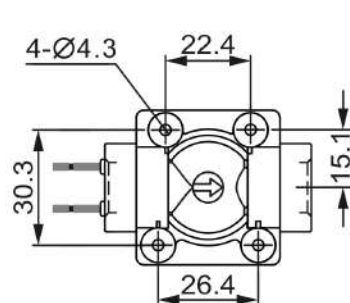
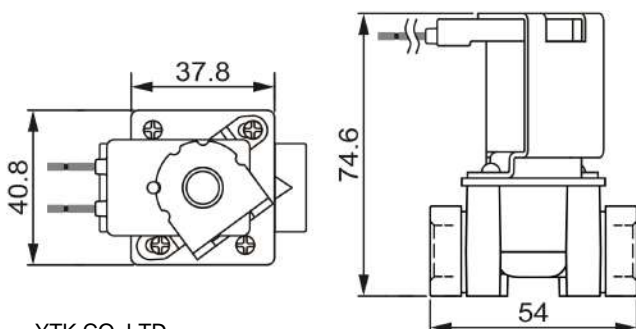
- 閥體由添加玻璃纖維之複合材料做成，通過閥體的流體溫度可達120°C。
- 閥體螺牙之扭力強度可達550kgf-cm，等同於用不鏽鋼套環予以套在非複合材料作成的塑膠閥體的進水口的外環上。

用途

RO機、飲水機、製冰機、咖啡機。

Technical specifications		規格
Model	CS019-H-180-S-HF	型號
Name	Hot fluid water valve with water pressure type - DC Normally open Stainless steel bush 熱流體水壓型電磁閥 一直流常開 不鏽鋼襯套	產品名稱
Pressure	0.2kgf/cm ² ~ 4kgf/cm ²	使用壓力
Dosage	9l/min/(1kgf/cm ²) ~ 18l/min/(6kgf/cm ²)	流量
Fluid temperature	0°C ~ 120°C	流體溫度
Voltage	DC 12V & 24V & 36V	使用電壓
Power	DC 8W±10%	消耗功率
Operation type	Normally open 常開一種	操作形式

Inner structures	內部構造
HOUSING	① 塑膠雙通
HOLDER	② 固定鐵片
SCREW	③ 螺絲
STAINLESS STEEL BUSH	④ 不鏽鋼襯套
SPRING	⑤ 彈簧
SHELL	⑥ 導磁圓框
SHAFT	⑦ 導磁軸
SILENCER PLUG	⑧ 消音矽膠塞
YOKE	⑨ 軛
PVC WIRE	⑩ PVC電線
COIL	⑪ 線圈
DOOR	⑫ 矽膠門塞
VALVE HOLDER	⑬ 閥架
GASKET	⑭ 矽膠墊片



Unit (單位) : mm

NO WATER PRESSURE TYPE - FULL-WAVE RECTIFIED NORMALLY CLOSE

無水壓型 - 全波整流常閉

Introduction

Designed for automatic water replenishment of water dispensers, we insist all the materials for water path are made of food grade materials to ensure clean drinking water.

Features

- The material of housing can withstand temp up to 100°C and complies with FDA food grade and NSF certification.
- Membrane separated, extend the life cycle of magnetic shaft.
- Input AC voltage rectified by full wave becomes DC voltage, the magnetic force generated by this DC voltage coil will not cause residual magnetism in the internal iron core, the machine installing this DC coil valve will not cause leaking water during operation.

Uses

Water dispenser, Vending machines.

前言

專為飲水機、開飲機的自動補水而設計，我們堅持水路(WATER PATH)所流經之材質皆使用符合食品級之材料來製作，以確保乾淨的飲用水質，不同於工業上所使用之電磁閥(如銅質)有污染水質之顧慮。

特點

- 閥體(HOUSING)材質使用耐高溫工程塑膠並符合FDA食品級及NSF認證，耐溫可達100°C。
- 薄膜隔離，導磁軸不入水延長其使用壽命。
- 輸入的交流電壓經全波整流後成為直流電壓，此直流電壓灌入線圈後所產生的磁場不會造成內部鐵芯有剩磁產生，此全波整流的直流線圈裝在機器於運作時不會因有剩磁而發生漏水現象。

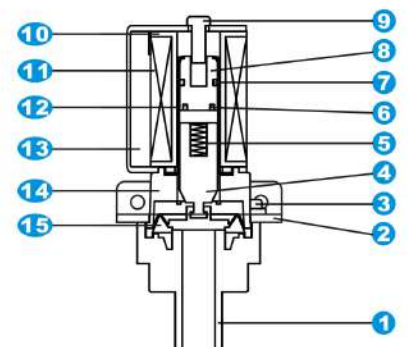
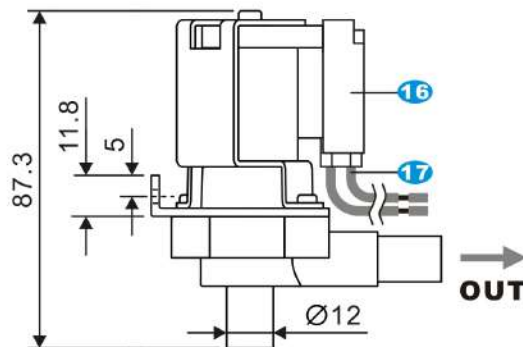
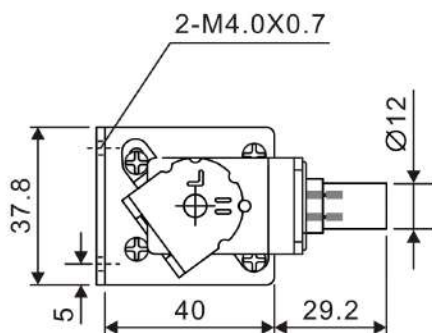
CS019-G-R

用途

飲水機、自動販賣機。

Technical specifications		規格
Model	CS019-G-R	型號
Name	Water valve with no water pressure type - Full-wave rectified Normally closed 無水壓型電磁閥-全波整流常閉	產品名稱
Pressure	0.11kgf/cm ² (MAX)	使用壓力
Dosage	5l/min/0.05kgf/cm ²	流量
Fluid temperature	0°C~100°C	流體溫度
Voltage	AC 110V & 230V	使用電壓
Power	7W±10%	消耗功率
Operation type	Normally closed 常閉一種	操作形式

Inner structures	內部構造
HOUSING	① 塑膠雙通
HOLDER	② 固定鐵片
SCREW	③ 螺絲
MOVABLE SHAFT	④ 動態導磁軸
SPRING	⑤ 彈簧
SPLIT RING	⑥ 分磁環
O-RING	⑦ O型環
FIXED SHAFT	⑧ 靜態導磁軸
SCREW	⑨ 螺絲
BOBBIN	⑩ 線軸
COIL	⑪ 線圈
METAL BUSH	⑫ 金屬襯套
YOKE	⑬ 軛
PLASTIC BUSH	⑭ 塑膠襯套
GASKET	⑮ 矽膠墊片
RECTIFIER KIT	⑯ 全波整流組件
PVC WIRE	⑰ PVC電線



Unit (單位) : mm

DIRECT ACTING WITH WATER PRESSURE TYPE - AC & DC NORMALLY CLOSED

直動式水壓型 一交直流常閉

Introduction

The plastic housing is made of NSF certified plastic materials, providing water dispenser manufacturers with a water valve that can apply for NSF certification.

Features

- The housing is made of NSF certified plastic materials.
- Up to 3.2 liters/min under the condition of 1 kg water pressure, and when the 8 kg water pressure is applied, the water output is smooth and no vibration, the water output can reach 8.5 liters/min.
- Low temp rise: The metal shell is 80°C after air burning 2 hours at room temp 25°C, and also when there is water in and out of the water path at 25°C, the max temp of the metal shell is only 40°C, In this way, the metal pipe are less likely to have water calcification and reduce the happening of no water flow.

Uses

RO machine, Water dispenser, Ice maker, Coffee machine.

前言

塑膠閥體由通過NSF認證之塑膠做成，為飲水機業者提供一款可申請NSF認證之電磁閥。

特點

- 閥體由通過NSF認證之塑膠做成。
- 在1公斤水壓之條件時可達3.2公升/分鐘，在施行8公斤水壓時則出水順暢無顫動情況發生，出水量可達8.5公升/分鐘。
- 低溫升：在室溫25°C時空燒2小時後金屬外殼溫度最高80°C，同樣在室溫25°C時如有進出水流通道時金屬外殼溫度最高只有40°C，如此金屬管件較不易有水質鈣化情形發生而降低不出水情況發生。

用途

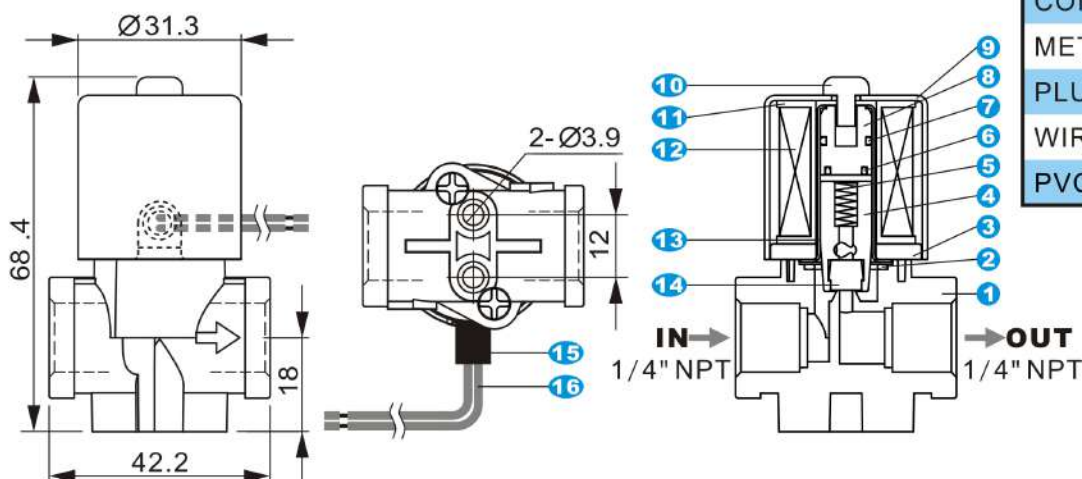
RO機、飲水機、製冰機、咖啡機。



CS019-F

Technical specifications		規格
Model	CS019-F	型號
Name	Direct acting with water pressure type - AC and DC Normally closed 直動式水壓型電磁閥一交直流常閉	產品名稱
Pressure	0.2kgf/cm ² ~ 8kgf/cm ²	使用壓力
Dosage	3.2l/min/(1kgf/cm ²) ~ 8.5l/min/(8kgf/cm ²)	流量
Fluid temperature	0°C ~ 100°C	流體溫度
Voltage	DC 12V & 24V & 36V, AC 110V & 230V	使用電壓
Power	DC 8W ± 10%, AC 6W ± 10%	消耗功率
Operation type	Normally closed 常閉一種	操作形式

Inner structures	內部構造
HOUSING	① 塑膠雙通
SEALING RING	② 止漏環
ROUND IRON	③ 圓鐵片
MOVABLE SHAFT	④ 動態導磁軸
SPRING	⑤ 彈簧
SPLIT RING	⑥ 分磁環
O-RING	⑦ O型環
FIXED SHAFT	⑧ 靜態導磁軸
METAL SHELL	⑨ 金屬外殼
SCREW	⑩ 螺絲
BOBBIN	⑪ 線軸
COIL	⑫ 線圈
METAL BUSH	⑬ 金屬襯套
PLUG	⑭ 門塞
WIRE SHEATH	⑮ 電線護套
PVC WIRE	⑯ PVC電線



Unit (單位) : mm

DIAPHRAGM WITH WATER PRESSURE TYPE - AC & DC NORMALLY CLOSED

隔膜式水壓型 一交直流常閉

Introduction

The plastic housing is made of NSF certified plastic materials, providing water dispenser manufacturers with a water valve that can apply for NSF certification.

Features

- The housing is made of NSF certified plastic materials.
- Up to 7 liters/min under the condition of 1 kg water pressure, and when the 8 kg water pressure is applied, the water output is smooth and no vibration, the water output can reach each 16 liters/min.

Uses

Water dispenser, Ice maker, Washing machine, Automatic dishwasher, Automatic urinal machine.

前言

塑膠閥體由通過NSF認證之塑膠做成，為飲水機業者提供一款可申請NSF認證之電磁閥。

特點

- 閥體由通過NSF認證之塑膠做成。
- 在1公斤水壓之條件時可達7公升/分鐘，在施行8公斤水壓時則出水順暢無顫動情況發生出水量可達16公升/分鐘。

用途

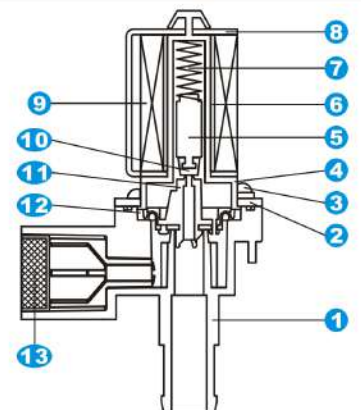
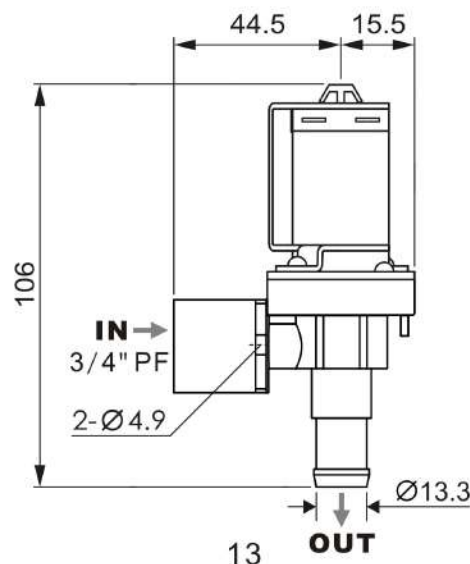
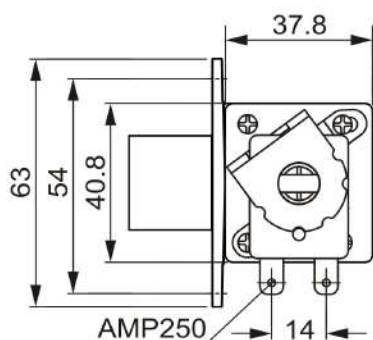
飲水機、製冰機、洗衣機、自動洗碗機、自動小便斗機。



CS019-E-90

Technical specifications		規格
Model	CS019-E-90	型號
Name	Diaphragm water valve with water pressure type - AC and DC Normally closed 隔膜式水壓型電磁閥一交直流常閉	產品名稱
Pressure	0.2kgf/cm ² ~ 8kgf/cm ²	使用壓力
Dosage	7ℓ/min/(1kgf/cm ²) ~ 16ℓ/min/(8kgf/cm ²)	流量
Fluid temperature	0°C ~ 100°C	流體溫度
Voltage	DC 12V & 24V, AC 110V & 230V	使用電壓
Power	DC 8W ± 10%, AC 7W ± 10%	消耗功率
Operation type	Normally closed 常閉一種	操作形式

Inner structures	內部構造
HOUSING	① 塑膠雙通
HOLDER	② 固定鐵片
SCREW	③ 螺絲
BUSH	④ 襯套
SHAFT	⑤ 導磁軸
SHELL	⑥ 導磁圓框
SPRING	⑦ 彈簧
YOKE	⑧ 軛
COIL	⑨ 線圈
DOOR	⑩ 矽膠門塞
VALVE HOLDER	⑪ 閥架
GASKET	⑫ 矽膠墊片
FILTER	⑬ 白鐵網



Unit (單位) : mm

DIAPHRAGM WITH WATER PRESSURE TYPE - AC & DC NORMALLY CLOSED

隔膜式水壓型一交直流常閉

Introduction

The plastic housing is made of NSF certified plastic materials, providing water dispenser manufacturers with a water valve that can apply for NSF certification.

Features

- The housing is made of NSF certified plastic materials.
- Up to 7 liters/min under the condition of 1 kg water pressure, and when the 8 kg water pressure is applied, the water output is smooth and no vibration, the water output can reach each 16 liters/min.

Uses

RO machine, Water dispenser, Ice maker, Coffee machine.



CS019-E-180

前言

塑膠閥體由通過NSF認證之塑膠做成，為飲水機業者提供一款可申請NSF認證之電磁閥。

特點

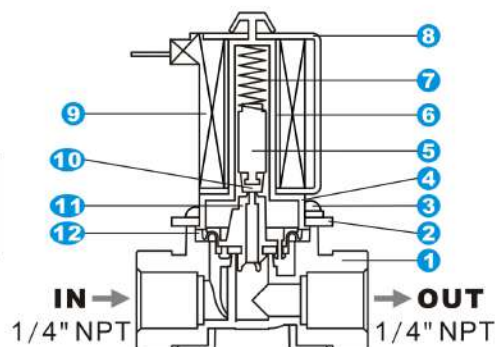
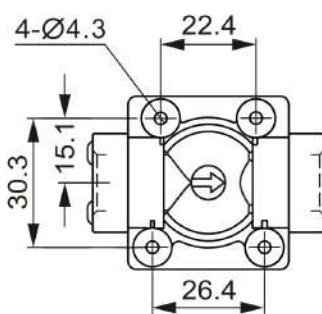
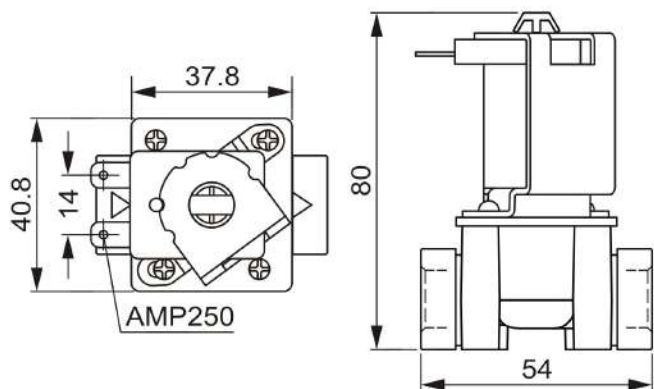
- 閥體由通過NSF認證之塑膠做成。
- 在1公斤水壓之條件時可達7公升/分鐘，在施行8公斤水壓時則出水順暢無顫動情況發生出水量可達16公升/分鐘。

用途

RO機、飲水機、製冰機、咖啡機。

Technical specifications		規格
Model	CS019-E-180	型號
Name	Diaphragm water valve with water pressure type - AC and DC Normally closed 隔膜式水壓型電磁閥一交直流常閉	產品名稱
Pressure	0.2kgf/cm ² ~ 8kgf/cm ²	使用壓力
Dosage	7l/min/(1kgf/cm ²) ~ 16l/min/(8kgf/cm ²)	流量
Fluid temperature	0°C ~ 100°C	流體溫度
Voltage	DC 12V & 24V & 36V, AC 110V & 230V	使用電壓
Power	DC 8W ± 10%, AC 7W ± 10%	消耗功率
Operation type	Normally closed 常閉一種	操作形式

Inner structures	內部構造
HOUSING	① 塑膠雙通
HOLDER	② 固定鐵片
SCREW	③ 螺絲
BUSH	④ 襯套
SHAFT	⑤ 導磁軸
SHELL	⑥ 導磁圓框
SPRING	⑦ 彈簧
YOKE	⑧ 軛
COIL	⑨ 線圈
DOOR	⑩ 矽膠門塞
VALVE HOLDER	⑪ 閥架
GASKET	⑫ 矽膠墊片



Unit (單位) : mm

YTK CO.,LTD.
info@ytk-group.co.jp
Http://www.ytk-group.co.jp

DIAPHRAGM WITH WATER PRESSURE TYPE - AC & DC NORMALLY CLOSED LEAD WIRE

隔膜式水壓型 - 交直流常閉 引線

Introduction

The plastic housing is made of NSF certified plastic materials, providing water dispenser manufacturers with a water valve that can apply for NSF certification.

Features

- The housing is made of NSF certified plastic materials.
- Up to 7 liters/min under the condition of 1 kg water pressure, and when the 8 kg water pressure is applied, the water output is smooth and no vibration, the water output can reach 16 liters/min.

Uses

RO machine, Water dispenser, Ice maker, Coffee machine.

前言

塑膠閥體由通過NSF認證之塑膠做成，為飲水機業者提供一款可申請NSF認證之電磁閥。

特點

- 閥體由通過NSF認證之塑膠做成。
- 在1公斤水壓之條件時可達7公升/分鐘，在施行8公斤水壓時則出水順暢無顫動情況發生出水量可達16公升/分鐘。

用途

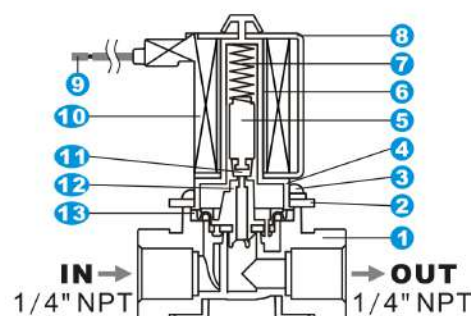
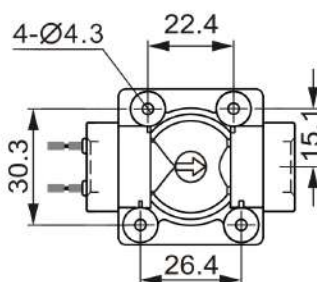
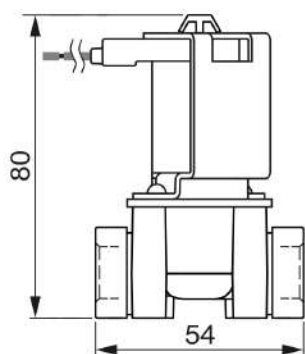
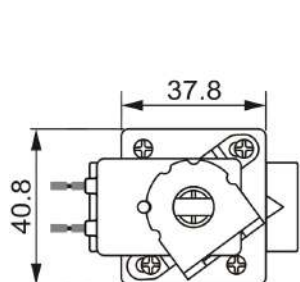
RO機、飲水機、製冰機、咖啡機。



CS019-E-180-W

Technical specifications		規格
Model	CS019-E-180-W	型號
Name	Diaphragm water valve with water pressure type - AC and DC Normally closed Lead wire 隔膜式水壓型電磁閥 - 交直流常閉 引線	產品名稱
Pressure	0.2kgf/cm ² ~ 8kgf/cm ²	使用壓力
Dosage	7ℓ/min/(1kgf/cm ²) ~ 16ℓ/min/(8kgf/cm ²)	流量
Fluid temperature	0°C ~ 100°C	流體溫度
Voltage	DC 12V & 24V & 36V, AC 110V & 230V	使用電壓
Power	DC 8W±10%, AC 7W±10%	消耗功率
Operation type	Normally closed 常閉一種	操作形式

Inner structures	內部構造
HOUSING	① 塑膠雙通
HOLDER	② 固定鐵片
SCREW	③ 螺絲
BUSH	④ 襯套
SHAFT	⑤ 導磁軸
SHELL	⑥ 導磁圓框
SPRING	⑦ 彈簧
YOKE	⑧ 軛
PVC WIRE	⑨ PVC電線
COIL	⑩ 線圈
DOOR	⑪ 矽膠門塞
VALVE HOLDER	⑫ 閥架
GASKET	⑬ 矽膠墊片



Unit (單位) : mm

HOT FLUID WATER VALVE WITH WATER PRESSURE TYPE - DC NORMALLY CLOSED STAINLESS STEEL BUSH

熱流體水壓型 一直流常閉 不鏽鋼襯套



CS019-E-180-S-HF

用途

RO機、飲水機、
製冰機、咖啡機。

Introduction

The plastic valve body is made of compound material with glass fiber added, which is specially designed to provide water valves for hot water systems for maker of water dispensers, coffee machines.

Features

- The valve body is made of compound material with glass fiber added, and the temperature of the fluid passing through the valve body can reach 120°C.
- The torque strength of the screw thread of the valve body can reach 550kgf-cm, which is equal to using a stainless steel collar to cover the outer ring of the water inlet of the non-compound plastic valve body.
- The flow rate is large, up to 7 liters/min under the condition of 1 kg water pressure, and when the 8 kg water pressure is applied, the water output can reach 16 liters/min.

Uses

RO machine, Water dispenser, Ice maker, Coffee machine.

前言

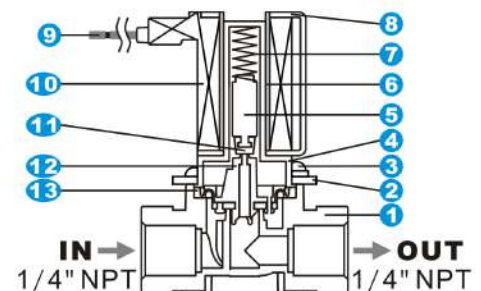
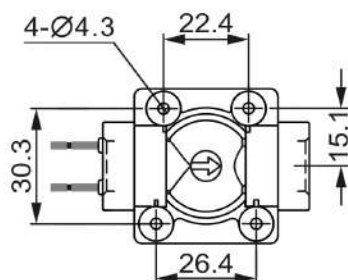
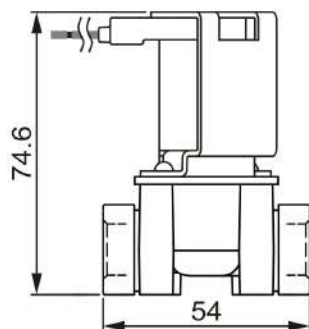
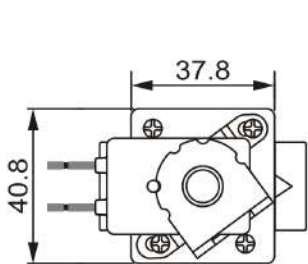
塑膠閥體由添加玻璃纖維之複合材料製成，專為飲水機、咖啡機等業者提供熱開水系統之電磁閥。

特點

- 閥體由添加玻璃纖維之複合材料做成，通過閥體的流體溫度可達120°C。
- 閥體螺牙之扭力強度可達550kgf-cm，等同於用不鏽鋼套環予以套在非複合材料作成的塑膠閥體的進水口的外環上。
- 流量大，在1公斤水壓時出水量可達7公升/分鐘，在施行8公斤水壓時則出水量可達16公升/分鐘。

Technical specifications		規格
Model	CS019-E-180-S-HF	型號
Name	Hot fluid water valve with water pressure type - DC Normally closed Stainless steel bush 熱流體水壓型電磁閥 一直流常閉 不鏽鋼襯套	產品名稱
Pressure	0.2kgf/cm ² ~8kgf/cm ²	使用壓力
Dosage	7l/min/(1kgf/cm ²)~16l/min/(8kgf/cm ²)	流量
Fluid temperature	0°C~120°C	流體溫度
Voltage	DC 12V & 24V & 36V	使用電壓
Power	DC 8W±10%	消耗功率
Operation type	Normally closed 常閉一種	操作形式

Inner structures	內部構造
HOUSING	① 塑膠雙通
HOLDER	② 固定鐵片
SCREW	③ 螺絲
STAINLESS STEEL BUSH	④ 不鏽鋼襯套
SHAFT	⑤ 導磁軸
SHELL	⑥ 導磁圓框
SPRING	⑦ 彈簧
YOKE	⑧ 軛
PVC WIRE	⑨ PVC電線
COIL	⑩ 線圈
DOOR	⑪ 矽膠門塞
VALVE HOLDER	⑫ 閥架
GASKET	⑬ 矽膠墊片



Unit (單位) : mm

NO WATER PRESSURE TYPE - DC NORMALLY OPEN

無水壓型一直流常開

Introduction

Designed for automatic water replenishment of water dispensers, we insist all the materials for water path are made of food grade materials to ensure clean drinking water.

Features

- The material of housing can withstand temp up to 100°C and complies with FDA food grade and NSF certification.
- Components are easy to take apart and maintain.
- Membrane separated, extend the life cycle of magnetic shaft.

Uses

Water dispenser, Vending machines.

前言

專為飲水機、開飲機的自動補水而設計，我們堅持水路(WATER PATH)所流經之材質皆使用符合食品級之材料來製作，以確保乾淨的飲用水質，不同於工業上所使用之電磁閥(如銅質)有污染水質之顧慮。

特點

- 閥體(HOUSING)材質使用耐高溫工程塑膠並符合FDA食品級及NSF認證，耐溫可達100°C。
- 軛片(YOKE)和襯套(BUSH)間插入組合，分離方便往後維修容易。
- 薄膜隔離，導磁軸不入水延長其使用壽命。

用途

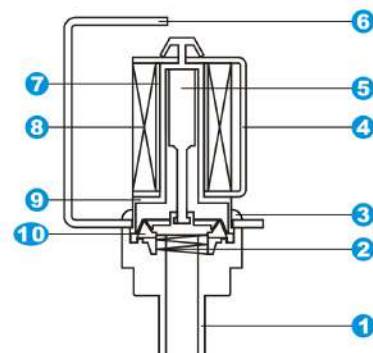
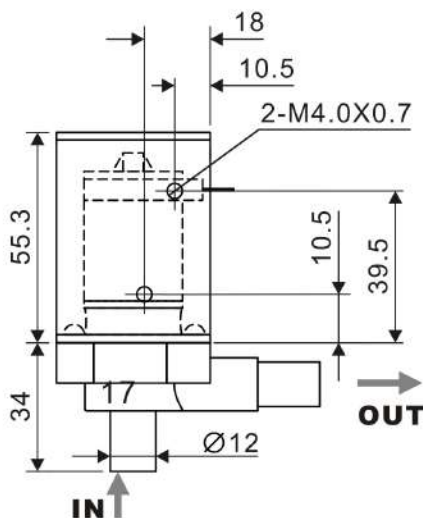
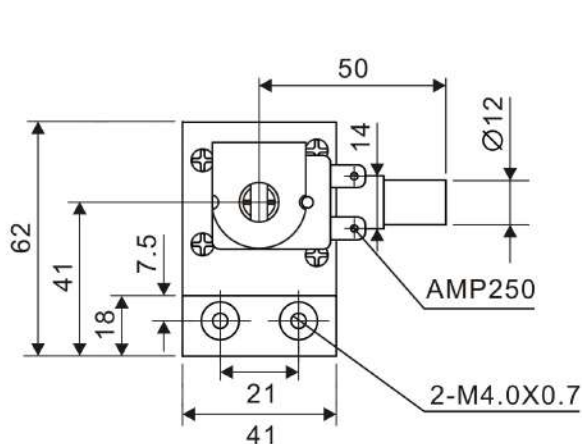
飲水機、自動販賣機。



CS019-D

Technical specifications		規格
Model	CS019-D	型號
Name	Water valve with no water pressure type - DC Normally open 無水壓型電磁閥一直流常開	產品名稱
Pressure	0.11kgf/cm ² (MAX)	使用壓力
Dosage	5l/min/0.032kgf/cm ²	流量
Fluid temperature	0°C~100°C	流體溫度
Voltage	DC 12V & 24V & 36V	使用電壓
Power	8W±10%	消耗功率
Operation type	Normally open 常開一種	操作形式

Inner structures	內部構造
HOUSING	① 塑膠雙通
SPRING	② 彈簧
SCREW	③ 螺絲
YOKE	④ 軛
SHAFT	⑤ 導磁軸
HOLDER	⑥ 固定鐵片
SHELL	⑦ 導磁圓框
COIL	⑧ 線圈
BUSH	⑨ 襯套
GASKET	⑩ 矽膠墊片



Unit (單位) : mm

NO WATER PRESSURE TYPE - DC NORMALLY CLOSED

無水壓型一直流常閉

Introduction

Designed for automatic water replenishment of water dispensers, we insist all the materials for water path are made of food grade materials to ensure clean drinking water.

Features

- The material of housing can withstand temp up to 100°C and complies with FDA food grade and NSF certification.
- Components are easy to take apart and maintain.
- Membrane separated, extend the life cycle of magnetic shaft.

Uses

Water dispenser, Vending machines.

前言

專為飲水機、開飲機的自動補水而設計，我們堅持水路(WATER PATH)所流經之材質皆使用符合食品級之材料來製作，以確保乾淨的飲用水質，不同於工業上所使用之電磁閥(如銅質)有污染水質之顧慮。

特點

- 閥體(HOUSING)材質使用耐高溫工程塑膠並符合FDA食品級及NSF認證，耐溫可達100°C。
- 軛片(YOKE)和襯套(BUSH)間插入組合，分離方便往後維修容易。
- 薄膜隔離，導磁軸不入水延長其使用壽命。

用途

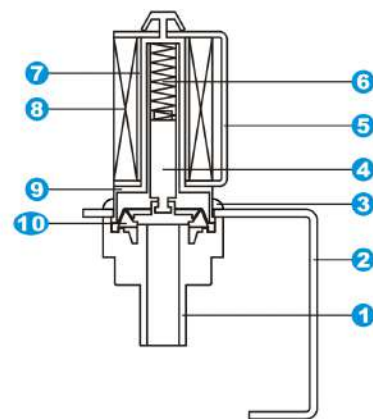
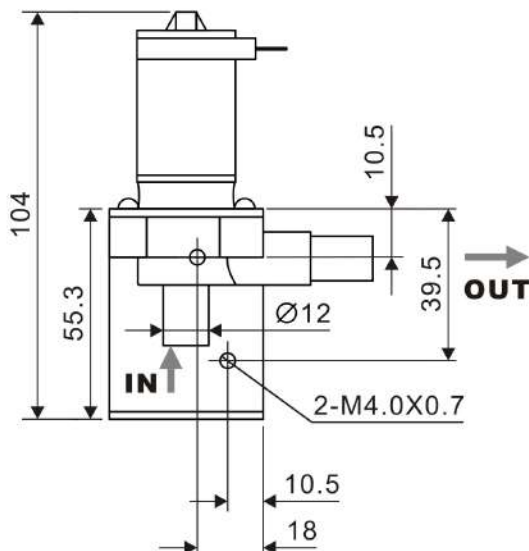
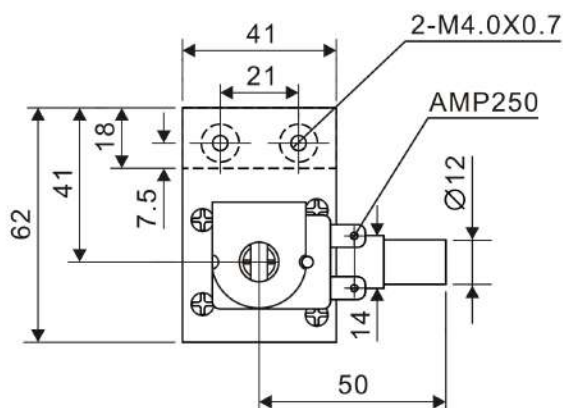
飲水機、自動販賣機。



CS019-C

Technical specifications		規格
Model	CS019-C	型號
Name	Water valve with no water pressure type - DC Normally closed 無水壓型電磁閥一直流常閉	產品名稱
Pressure	0.11kgf/cm ² (MAX)	使用壓力
Dosage	5ℓ/min/0.032kgf/cm ²	流量
Fluid temperature	0°C ~ 100°C	流體溫度
Voltage	DC 12V & 24V & 36V	使用電壓
Power	8W±10%	消耗功率
Operation type	Normally closed 常閉一種	操作形式

Inner structures	內部構造
HOUSING	① 塑膠雙通
HOLDER	② 固定鐵片
SCREW	③ 螺絲
SHAFT	④ 導磁軸
YOKE	⑤ 軛
SPRING	⑥ 彈簧
SHELL	⑦ 導磁圓框
COIL	⑧ 線圈
BUSH	⑨ 襯套
GASKET	⑩ 矽膠墊片



Unit (單位) : mm

1/4" QUICK UNION 1IN 2OUT WITH WATER PRESSURE TYPE - AC & DC NORMALLY CLOSED

2分快接1進2出水壓型電磁閥 — 交直流常閉



CS019-J-90-2-1120

Introduction

The miniature water valves is specially designed for machines with small spaces inside, the housing is made of NSF certified plastic materials.

Features

- Suitable for installation in narrow spaces.
- Quickly connecting can save machine
- The flow rate is large, up to 9 liters/min under the condition of 1 kg water pressure, and when the 8 kg water pressure is applied, the water output can reach 20 liters/min.

Uses

RO machine, Water dispenser, Ice maker, Coffee machine.

前言

迷你小型化電磁閥專為內部窄小空間的機器而設計，塑膠塑膠閥體由通過NSF認證之塑膠做成。

特點

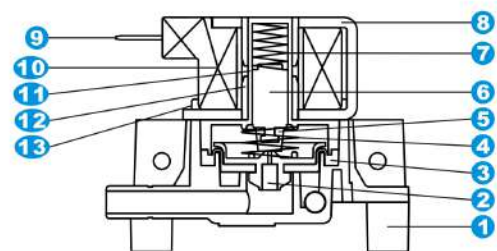
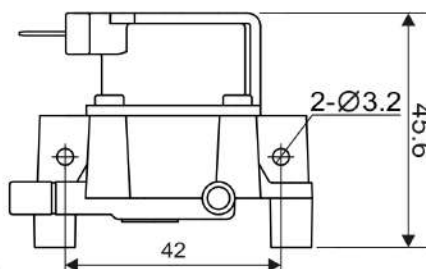
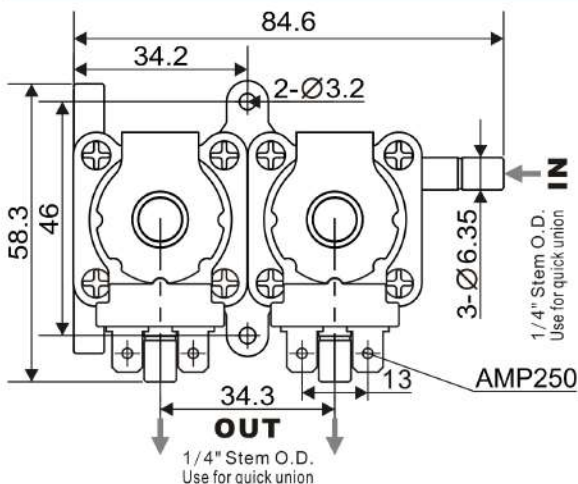
- 適合窄小空間裝置。
- 快速連接可節省機器組裝時間。
- 流量大，在1公斤水壓時出水量可達9公升/分鐘，在施行8公斤水壓時則出水量可達20公升/分鐘。

用途

RO機、飲水機、製冰機、咖啡機。

Technical specifications		規格
Model	CS019-J-90-2-1120	型號
Name	1/4" quick union 1in 2out with water pressure type - AC and DC Normally closed 2分快接1進2出水壓型電磁閥 — 交直流常閉	產品名稱
Pressure	0.2kgf/cm ² ~ 8kgf/cm ²	使用壓力
Dosage	5l/min/(1kgf/cm ²) ~ 14l/min/(8kgf/cm ²)	流量
Fluid temperature	0°C ~ 100°C	流體溫度
Voltage	DC 12V & 24V & 36V, AC 110V & 230V	使用電壓
Power	DC 6W ± 10%, AC 5W ± 10%	消耗功率
Operation type	Normally closed 常閉一種	操作形式

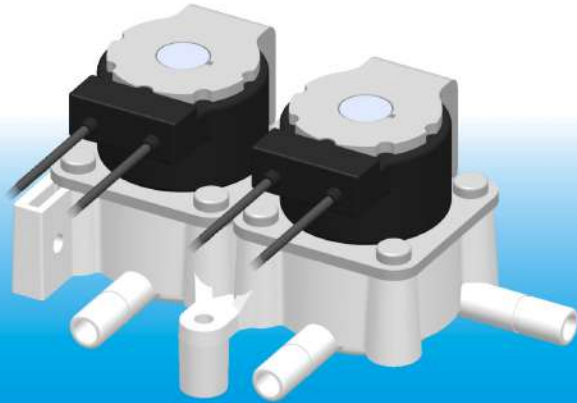
Inner structures	內部構造
HOUSING	① 塑膠雙通
VALVE HOLDER	② 閥架
GASKET	③ 矽膠墊片
SPRING	④ 彈簧
DOOR	⑤ 矽膠門塞
SHAFT	⑥ 導磁軸
SPRING	⑦ 彈簧
YOKE	⑧ 軛
AMP 250	⑨ 250公端子
COIL	⑩ 線圈
BUSH	⑪ 襯套
SHELL	⑫ 導磁圓框
SCREW	⑬ 螺絲



Unit (單位) : mm

1/4" QUICK UNION 1IN 2OUT WITH WATER PRESSURE TYPE — AC & DC NORMALLY CLOSED LEAD WIRE

2分快接1進2出水壓型電磁閥 — 交直流常閉 引線



CS019-J-90-2-1120-W

Introduction

The miniature water valves is specially designed for machines with small spaces inside, the housing is made of NSF certified plastic materials.

Features

- Suitable for installation in narrow spaces.
- Quickly connecting can save machine
- The flow rate is large, up to 9 liters/min under the condition of 1 kg water pressure, and when the 8 kg water pressure is applied, the water output can reach 20 liters/min.

Uses

RO machine, Water dispenser, Ice maker, Coffee machine.

前言

迷你小型化電磁閥專為內部窄小空間的機器而設計，塑膠塑膠閥體由通過NSF認證之塑膠做成。

特點

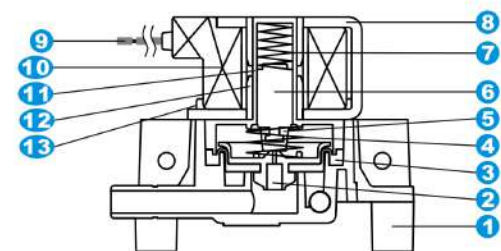
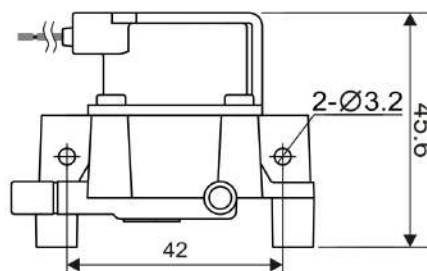
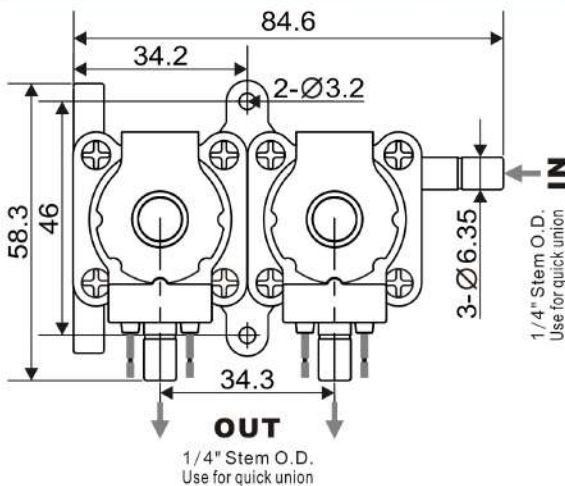
- 適合窄小空間裝置。
- 快速連接可節省機器組裝時間。
- 流量大，在1公斤水壓時出水量可達9公升/分鐘，在施行8公斤水壓時則出水量可達20公升/分鐘。

用途

RO機、飲水機、製冰機、咖啡機。

Technical specifications		規格
Model	CS019-J-90-2-1120-W	型號
Name	1/4" quick union 1in 2out with water pressure type - AC and DC Normally closed Lead wire 2分快接1進2出水壓型電磁閥 — 交直流常閉 引線	產品名稱
Pressure	0.2kgf/cm ² ~ 8kgf/cm ²	使用壓力
Dosage	5l/min/(1kgf/cm ²) ~ 14l/min/(8kgf/cm ²)	流量
Fluid temperature	0°C ~ 100°C	流體溫度
Voltage	DC 12V & 24V & 36V, AC 110V & 230V	使用電壓
Power	DC 6W ± 10%, AC 5W ± 10%	消耗功率
Operation type	Normally closed 常閉一種	操作形式

Inner structures	內部構造
HOUSING	① 塑膠雙通
VALVE HOLDER	② 閥架
GASKET	③ 矽膠墊片
SPRING	④ 彈簧
DOOR	⑤ 矽膠門塞
SHAFT	⑥ 導磁軸
SPRING	⑦ 彈簧
YOKE	⑧ 軛
PVC WIRE	⑨ PVC電線
COIL	⑩ 線圈
BUSH	⑪ 襯套
SHELL	⑫ 導磁圓框
SCREW	⑬ 螺絲



Unit (單位) : mm

YTK CO.,LTD.
info@ytk-group.co.jp
Http://www.ytk-group.co.jp

1/4" QUICK UNION 1IN 3OUT WITH WATER PRESSURE TYPE - AC & DC NORMALLY CLOSED

2分快接1進3出水壓型電磁閥 — 交直流常閉

Introduction

The miniature water valves is specially designed for machines with small spaces inside, the housing is made of NSF certified plastic materials.

Features

- Suitable for installation in narrow spaces.
- Quickly connecting can save machine
- The flow rate is large, up to 9 liters/min under the condition of 1 kg water pressure, and when the 8 kg water pressure is applied, the water output can reach 20 liters/min.

Uses

RO machine, Water dispenser, Ice maker, Coffee machine.



CS019-J-90-2-1130

前言

迷你小型化電磁閥專為內部窄小空間的機器而設計，塑膠塑膠閥體由通過NSF認證之塑膠做成。

特點

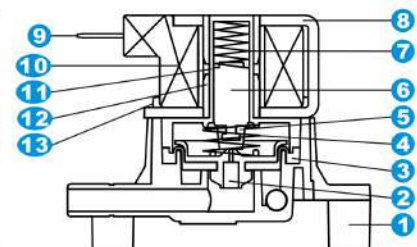
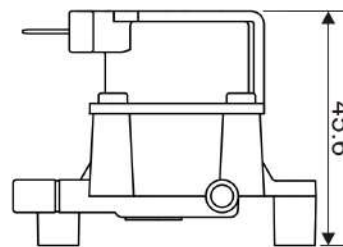
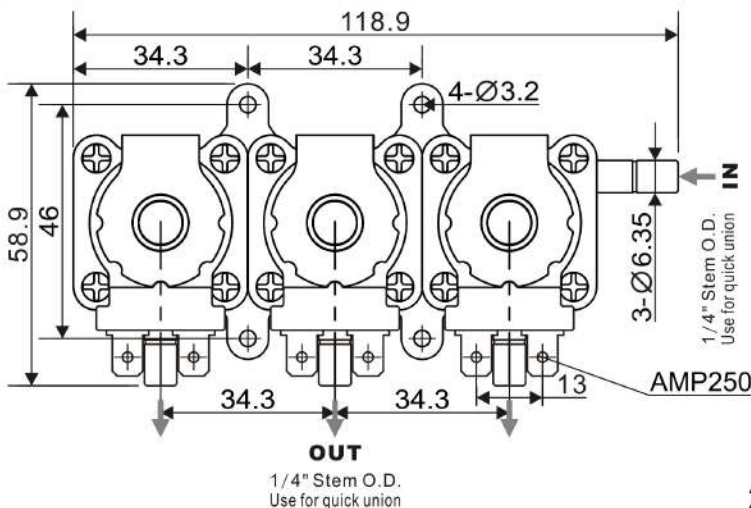
- 適合窄小空間裝置。
- 快速連接可節省機器組裝時間。
- 流量大，在1公斤水壓時出水量可達9公升/分鐘，在施行8公斤水壓時則出水量可達20公升/分鐘。

用途

RO機、飲水機、製冰機、咖啡機。

Technical specifications		規格
Model	CS019-J-90-2-1130	型號
Name	1/4" quick union 1in 3out with water pressure type - AC and DC Normally closed 2分快接1進 出水壓型電磁閥 — 交直流常閉	產品名稱
Pressure	0.2kgf/cm ² ~ 8kgf/cm ²	使用壓力
Dosage	5l/min/(1kgf/cm ²) ~ 14l/min/(8kgf/cm ²)	流量
Fluid temperature	0°C ~ 100°C	流體溫度
Voltage	DC 12V & 24V & 36V, AC 110V & 230V	使用電壓
Power	DC 6W ± 10%, AC 5W ± 10%	消耗功率
Operation type	Normally closed 常閉一種	操作形式

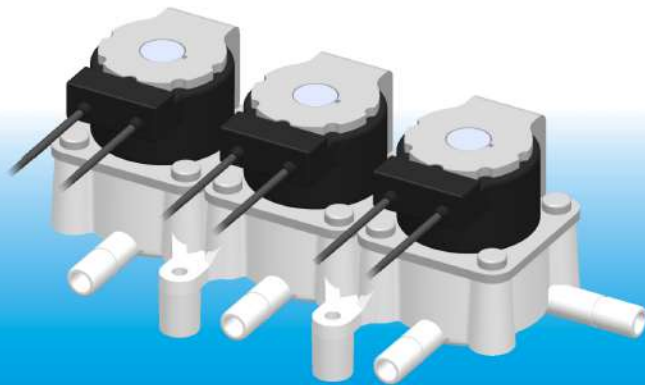
Inner structures	內部構造
HOUSING	① 塑膠雙通
VALVE HOLDER	② 閥架
GASKET	③ 矽膠墊片
SPRING	④ 彈簧
DOOR	⑤ 矽膠門塞
SHAFT	⑥ 導磁軸
SPRING	⑦ 彈簧
YOKE	⑧ 軛
AMP 250	⑨ 250公端子
COIL	⑩ 線圈
BUSH	⑪ 襯套
SHELL	⑫ 導磁圓框
SCREW	⑬ 螺絲



Unit (單位) : mm

1/4" QUICK UNION 1IN 3OUT WITH WATER PRESSURE TYPE — AC & DC NORMALLY CLOSED LEAD WIRE

2分快接1進3出水壓型電磁閥 — 交直流常閉 引線



CS019-J-90-2-1130-W

Introduction

The miniature water valves is specially designed for machines with small spaces inside, the housing is made of NSF certified plastic materials.

Features

- Suitable for installation in narrow spaces.
- Quickly connecting can save machine
- The flow rate is large, up to 9 liters/min under the condition of 1 kg water pressure, and when the 8 kg water pressure is applied, the water output can reach 20 liters/min.

Uses

RO machine, Water dispenser, Ice maker, Coffee machine.

前言

迷你小型化電磁閥專為內部窄小空間的機器而設計，塑膠塑膠閥體由通過NSF認證之塑膠做成。

特點

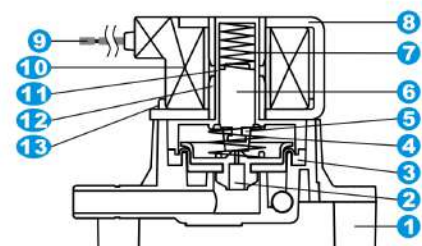
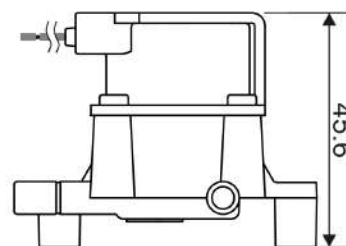
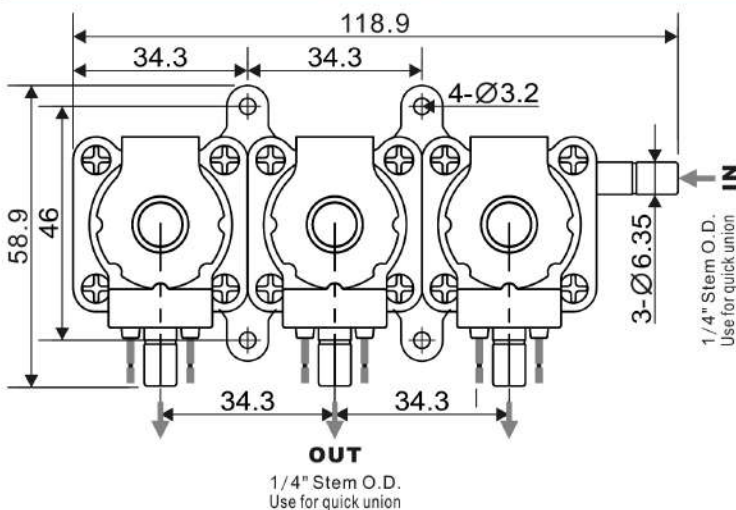
- 適合窄小空間裝置。
- 快速連接可節省機器組裝時間。
- 流量大，在1公斤水壓時出水量可達9公升/分鐘，在施行8公斤水壓時則出水量可達20公升/分鐘。

用途

RO機、飲水機、製冰機、咖啡機。

Technical specifications		規格
Model	CS019-J-90-2-1130-W	型號
Name	1/4" quick union 1in 3out with water pressure type - AC and DC Normally closed Lead wire 2分快接1進 出水壓型電磁閥 — 交直流常閉 引線	產品名稱
Pressure	0.2kgf/cm ² ~ 8kgf/cm ²	使用壓力
Dosage	5l/min/(1kgf/cm ²) ~ 14l/min/(8kgf/cm ²)	流量
Fluid temperature	0°C ~ 100°C	流體溫度
Voltage	DC 12V & 24V & 36V, AC 110V & 230V	使用電壓
Power	DC 6W ± 10%, AC 5W ± 10%	消耗功率
Operation type	Normally closed 常閉一種	操作形式

Inner structures	內部構造
HOUSING	① 塑膠雙通
VALVE HOLDER	② 閥架
GASKET	③ 矽膠墊片
SPRING	④ 彈簧
DOOR	⑤ 矽膠門塞
SHAFT	⑥ 導磁軸
SPRING	⑦ 彈簧
YOKE	⑧ 軛
PVC WIRE	⑨ PVC電線
COIL	⑩ 線圈
BUSH	⑪ 襯套
SHELL	⑫ 導磁圓框
SCREW	⑬ 螺絲



Unit (單位) : mm