

M Series Capsule Slip Ring

Senring M series capsule slip rings with quite compact size, specially designed for medium/small equipments such as high speed dome, children intelligent toys, stage lights, drones, robots ... to transmit power or signals when 360° rotating.

Main Features

- Compact design, OD 6.5mm~30mm;
- Adopt Germany/US advanced processing technology for key materials, military level gold-gold contacts points ensures ultra- low contact resistance and long working life ;
- Advantages: low torque, low loss, low electrical noise, maintenance free ;
- Typical application: high speed dome, children intelligent toys, stage lights, drones, robots, stabilizer, smart home appliance ...



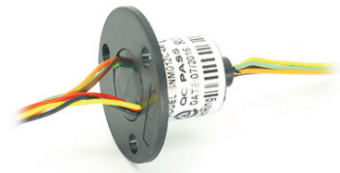
Photos of Some Products



type A flange



type B flange



type C flange



without flange



RF+power/signal



HD signal



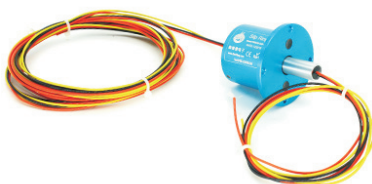
HDMI+USB2.0



fiber+electrical



Pneumatic+electrical



waterproof (IP65)



Ethernet



HDMI+signal



Part No. Description

M	OD	F	circuits no.	current
M:capsule slip ring code	OD:outer dimension of housing 065:OD 6.5mm 079: OD 7.9mm 125:OD 12.5mm 155: OD 15.5mm 220:OD 22mm 250: OD 25mm 300:OD 30mm	F:flange type(optional,as drawing)		
Examples: default current , can be omitted 05:0~5A 10:0~10A 15:0~15A 30:0~30A 50:0~50A				
Examples: 04:4circuits 06:6circuits 08:8circuits 12:12circuits 18:18circuits 24:24circuits 56:56circuits				

Examples

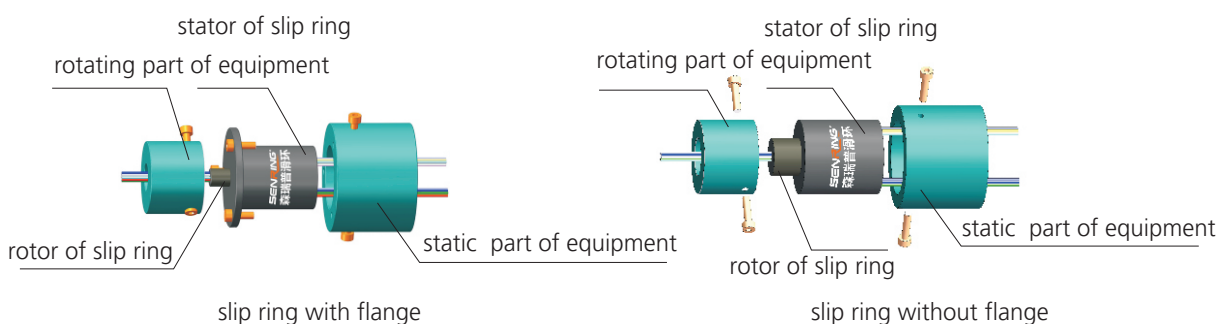
M065-08 : "M" capsule slip ring, "065" OD6.5mm,without flange, "08" 8 circuits, 1A per circuit (default 1A)
M220A-12: "M" capsule slip ring, "220" OD22mm,"A" type A flange, "12" 12 circuits, 2A per circuit (default 0~2A)
M155C-0605: "M" capsule slip ring, "155" OD15.5mm, "C" type C flange, "0605" 6 circuits,5A per circuit

Model List

Model#	OD(mm)	Circuits No.	Max current/circuit
M065	6.5	4、6、8、12	1A
M079	7.9	4、6、8、12	1A
M125	12.5	2、3、4、6、12、18	1.5A, 5A
M155	15.5	24	1.5A
M220	22	2、3、4、6、8、12、18、24、36	2A, 5A, 10A, 30A
M250	25	56	2A
M300	30	2、3、4、6	30A, 50A

Installation

- 1.Fixing by stator part of slip ring: put slip ring into sleeve of static part , fix flange with screws , or fix stator wires
- 2.Fixing by rotor part of slip ring: because of small torque, only need to fix rotor wire . Or fix a sleeve on rotor part to rotate the slip ring

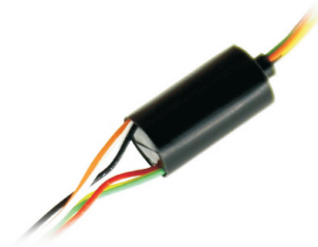


Color Code of Lead Wire

ring #	1	2	3	4	5	6	7	8	9	10	11	12
color	BLK	BRN	RED	ORG	YEL	GRN	BLU	PUR	GRY	WHT	PINK	LGT BLU
ring#	13	14	15	16	17	18	19	20	21	22	23	24
color	WHT/BLK	WHT/BRN	WHT/RED	WHT/ORG	WHT/YEL	WHT/GRN	WHT/BLU	WHT/PUR	WHT/GRY	BLK/RED	BLK/BRN	Transparent

Remark: "1" : the first wire from rotor side , M125A-06 wire color sequence: BLK/BRN/RED/ORG/YEL/GRN , 24 color wires as one group , if more than 24wires, repeat as sequence , use number tube to tell group 1#, 2#....

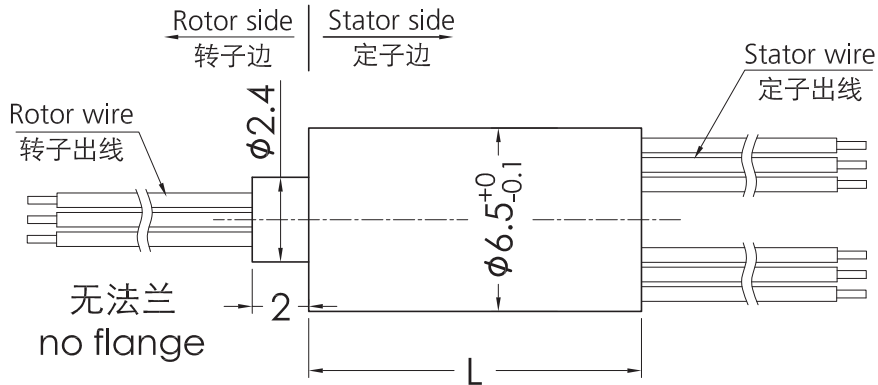
M065 Series Capsule Slip Ring



OD:6.5mm,4-12circuits

Part No. Description

M065 - circuits no.	
M:capsule slip ring code 065:OD 6.5mm	Examples: 04:4circuits, 1A each 06:6circuits, 1A each 08:8circuits, 1A each 12:12circuits, 1A each



Standard Model List

M065 series model list			
Part no.	Circuits no.	Max current/circuit	Length L(mm)
M065-04	4	1A	11.8
M065-06	6	1A	11.8
M065-08	8	1A	11.8
M065-12	12	1A	17.6

Technical Specification

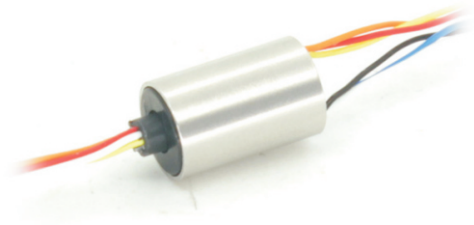
Mechanical		Electrical	
Rotating Speed	150RPM	Rated Voltage	0~240VAC/VDC
Working Temp.	-30°C~80°C	Insulation Resistance	≥300MΩ/300VDC
Working Humidity	0~85%RH	Lead Wire Spec.	AWG30#teflon,silver plated
Contact Material	gold-gold	Lead Wire Length	standard 150mm(can be customized)
Housing Material	plastic	Dielectric Strength	300VAC@50Hz,60s
Torque	0.05N.m (+0.01N.m/6circuits)	Electrical Noise	<0.01Ω
Working Life	10millions for ref(depends on working conditions)		
IP Grade	IP51		

Color Code of Lead Wire

ring #	1	2	3	4	5	6	7	8	9	10	11	12
color	BLK	BRN	RED	ORG	YEL	GRN	BLU	PUR	GRY	WHT	PINK	LGT BLU



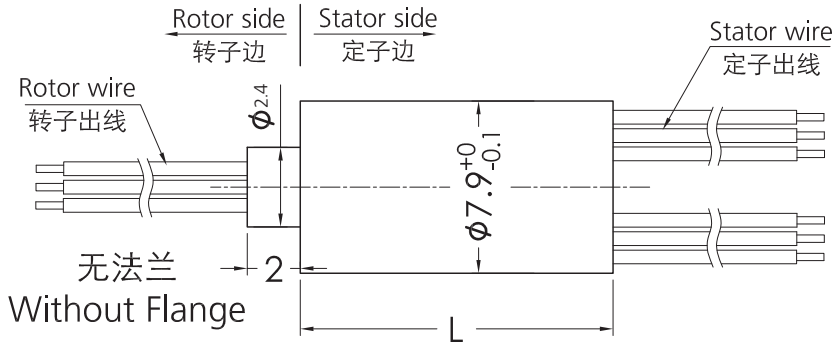
M079 Series Capsule slip ring



OD:7.9mm,4~12circuits

Part No. Description

M:capsule slip ring code 079:OD 7.9mm	M079 - circuits no. Examples: 04:4circuits, 1A each 06:6circuits, 1A each 08:8circuits, 1A each 12:12circuits, 1A each
--	---



Standard Model List

M079 series model list			
Part no.	Circuits no.	Max current/circuit	Length L(mm)
M079-04	4	1A	11.8
M079-06	6	1A	11.8
M079-08	8	1A	11.8
M079-12	12	1A	17.6

Technical Specification

Mechanical		Electrical	
Rotating Speed	150RPM	Rated Voltage	0~240VAC/VDC
Working Temp.	-30°C~80°C	Insulation Resistance	≥300MΩ/300VDC
Working Humidity	0~85%RH	Lead Wire Spec.	AWG32#teflon,silver plated
Contact Material	gold-gold	Lead Wire Length	standard 150mm(can be customized)
Housing Material	stainless steel	Dielectric Strength	300VAC@50Hz,60s
Torque	0.05N.m (+0.01N.m/6circuits)	Electrical Noise	<0.01Ω
Working Life	10millions for ref(depends on working conditions)		
IP Grade	IP51		

Color Code of Lead Wire

ring #	1	2	3	4	5	6	7	8	9	10	11	12
color	BLK	BRN	RED	ORG	YEL	GRN	BLU	PUR	GRY	WHT	PINK	LGT BLU



M125 Series Capsule Slip Ring

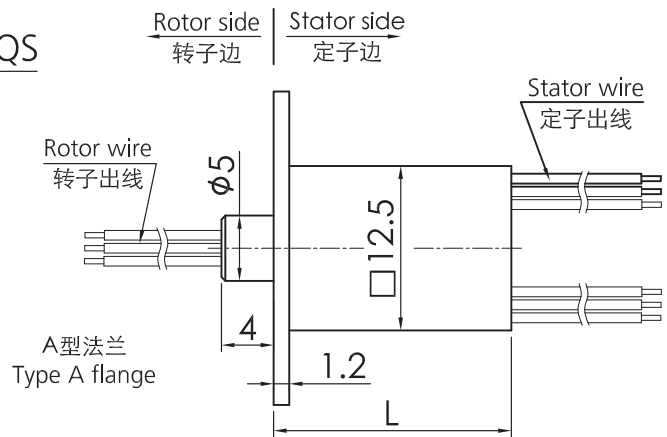
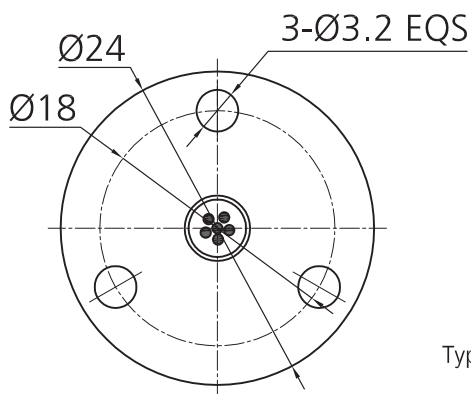
OD:12.5mm,2~18circuits



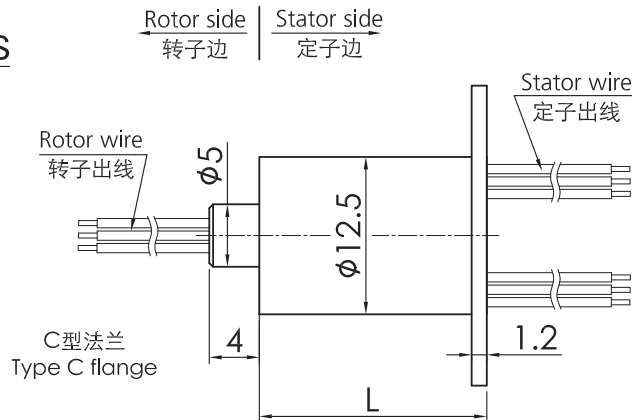
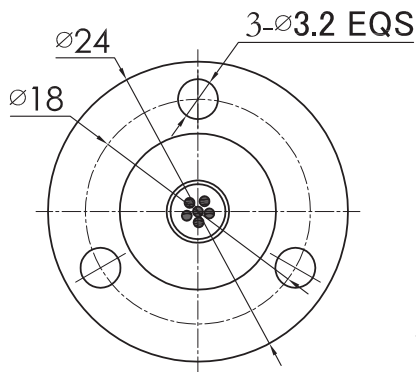
Part No. Description

M125 - F - circuits no. - current	
M:capsule slip ring code 125:OD12.5mm	Examples: default 1.5A 05:5A
F:flange type(3 types,as drawing)	Examples: 06:6circuits 12:12circuits

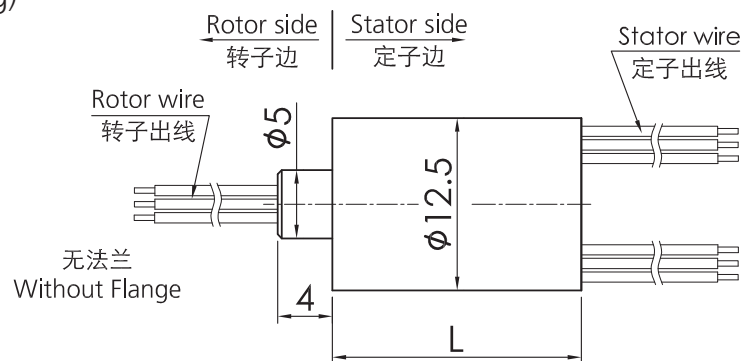
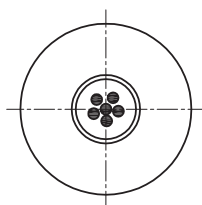
M125A(Type A flange drawing)



M125C(Type C flange drawing)



M125(without flange drawing)



Standard Model List

M125 series model list				
Part no.	Circuits no.	Max current/circuit	Lead spec.	Length L(mm)
M125-06	6	1.5A	AWG30#teflon,silver plated	13.5
M125-12	12	1.5A	AWG30#teflon,silver plated	18.2
M125-18	18	1.5A	AWG30#teflon,silver plated	23.5
M125-0205	2	5A	AWG22#teflon,silver plated	13.5
M125-0305	3	5A	AWG22#teflon,silver plated	18.2
M125-0405	4	5A	AWG22#teflon,silver plated	18.2

Technical Specification

Mechanical		Electrical	
Rotating Speed	250RPM	Rated Voltage	0~240VAC/VDC
Working Temp.	-30°C~80°C	Insulation Resistance	≥300MΩ/300VDC
Working Humidity	0~85%RH	Lead Wire Spec.	refer to model list
Contact Material	gold-gold	Lead Wire Length	standard 150mm(can be customized)
Housing Material	plastic	Dielectric Strength	300VAC@50Hz,60s
Torque	0.05N.m (+0.01N.m/6circuits)	Electrical Noise	<0.01Ω
Working Life	10millions for ref(depends on working conditions)		
IP Grade	IP51		

Color Code of Lead Wire

ring #	1	2	3	4	5	6	7	8	9	10	11	12
color	BLK	BRN	RED	ORG	YEL	GRN	BLU	PUR	GRY	WHT	PINK	LGT BLU
ring #	13	14	15	16	17	18	19	20	21	22	23	24
color	WHT/BLK	WHT/BRN	WHT/RED	WHT/ORG	WHT/YEL	WHT/GRN	WHT/BLU	WHT/PUR	WHT/GRY	BLK/RED	BLK/BRN	Transparent

M155 Series Capsule Slip Ring

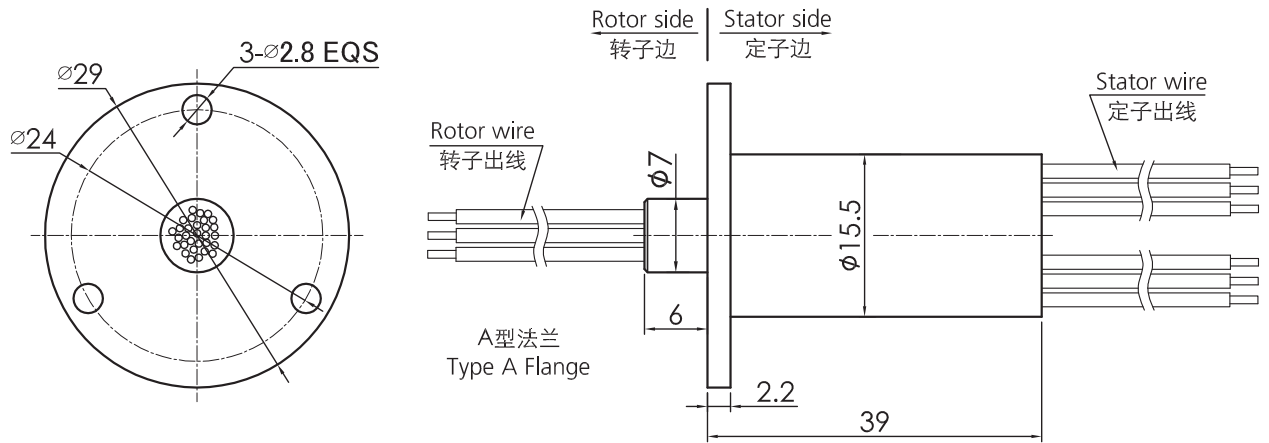
OD:15.5mm,24circuits



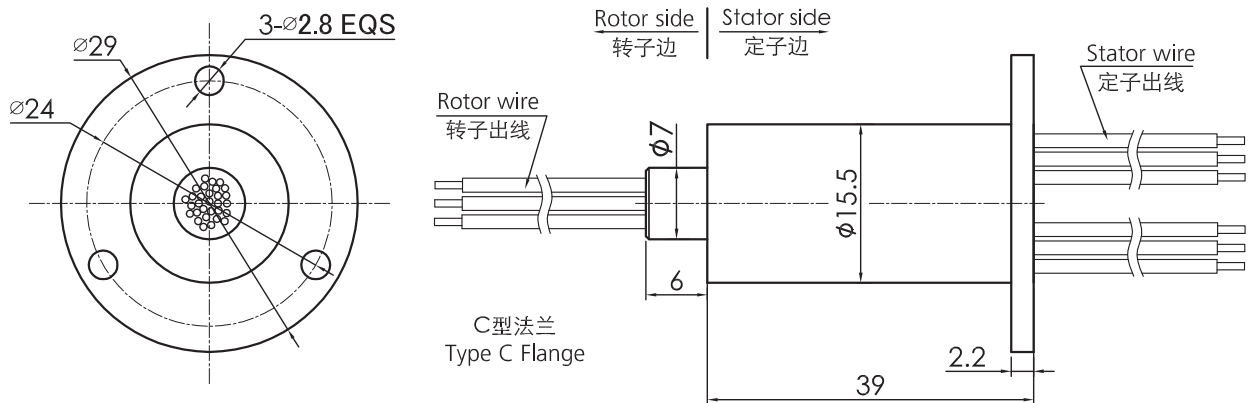
Part No. Description

M155 - F - 24	
M:capsule slip ring code 155:OD15.5mm	F:flange types(2 type,as drawing) 24 circuits,1.5A each

M155A(Type A flange drawing)



M155C(Type C flange drawing)



Standard Model List

M155 series model list			
Part no.	Circuits no.	Max current/circuit	Length L(mm)
M155A-24	24	1.5A	39
M155C-24	24	1.5A	39

Technical Specification

Mechanical		Electrical	
Rotating Speed	250RPM	Rated Voltage	0~240VAC/VDC
Working Temp.	-30°C~80°C	Insulation Resistance	≥300MΩ/300VDC
Working Humidity	0~85%RH	Lead Wire Spec.	AWG30#teflon,silver plated
Contact Material	gold-gold	Lead Wire Length	standard 150mm(can be customized)
Housing Material	plastic	Dielectric Strength	300VAC@50Hz,60s
Torque	0.05N.m (+0.01N.m/6circuits)	Electrical Noise	<0.01Ω
Working Life	10millions for ref(depends on working conditions)		
IP Grade	IP51		

Color Code of Lead Wire

ring#	1	2	3	4	5	6	7	8	9	10	11	12
color	BLK	BRN	RED	ORG	YEL	GRN	BLU	PUR	GRY	WHT	PINK	LGT BLU
ring#	13	14	15	16	17	18	19	20	21	22	23	24
color	WHT/BLK	WHT/BRN	WHT/RED	WHT/ORG	WHT/YEL	WHT/GRN	WHT/BLU	WHT/PUR	WHT/GRY	BLK/RED	BLK/BRN	Transparent

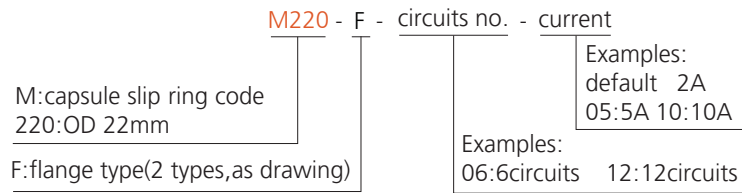


M220 Series Capsule Slip Ring

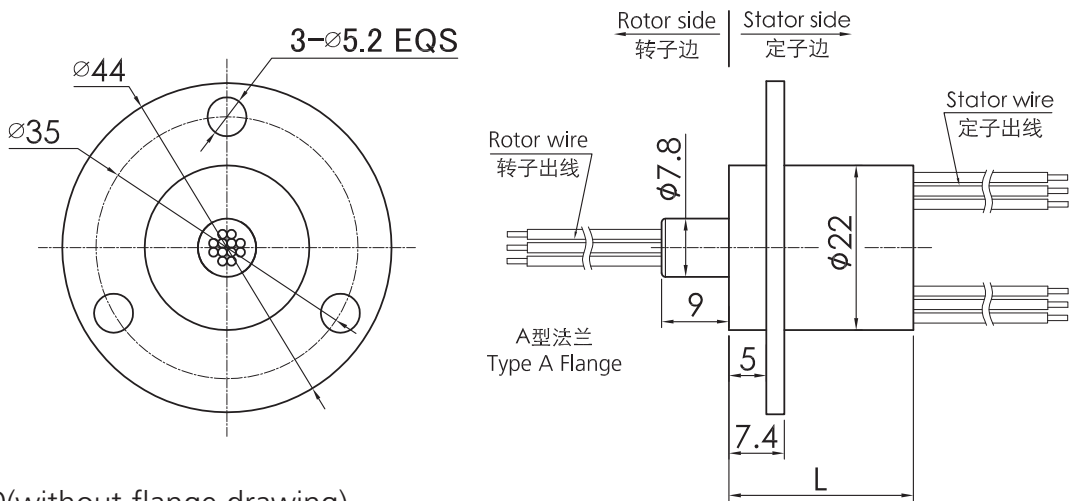
OD:22mm,2~36circuits



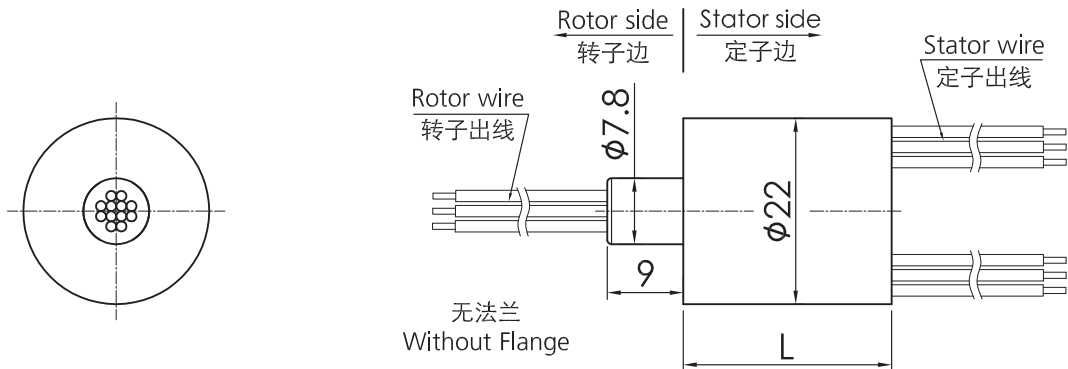
Part No. Description



M220A(Type A flange drawing)



M220(without flange drawing)



Standard Model List

M220 series model list				
Part no.	Circuits no.	Max current/circuit	Lead spec.	Length L(mm)
M220-06	6	2A	AWG26#teflon, silver plated	19
M220-12	12	2A	AWG26#teflon, silver plated	26
M220-18	18	2A	AWG26#teflon, silver plated	33
M220-24	24	2A	AWG26#teflon, silver plated	40
M220-36	36	2A	AWG26#teflon, silver plated	57.3
M220-0605	6	5A	AWG22#teflon, silver plated	40

M220 series model list				
Part no.	Circuits no.	Max current/circuit	Lead spec.	Length L(mm)
M220-0805	8	5A	AWG22#teflon, silver plated	140
M220-1205	12	5A	AWG22#teflon, silver plated	40
M220-0210	2	10A	AWG17#teflon, silver plated	26
M220-0310	3	10A	AWG17#teflon, silver plated	33
M220-0410	4	10A	AWG17#teflon, silver plated	40
M220-0230	2	30A	AWG12#teflon, silver plated	40
M220-0330	3	30A	AWG12#teflon, silver plated	47
M220-0205-12S	2circuits@5A+12circuits signal		5A(AWG22),signal(AWG26)	40
M220-0305-12S	3circuits@5A+12circuits signal		5A(AWG22),signal(AWG26)	40
M220-0605-06S	6circuits@5A+6circuits signal		5A(AWG22),signal(AWG26)	40
M220-0210-12S	2circuits@10A+12circuits signal		10A(AWG17),signal(AWG26)	40
M220-0310-06S	3circuits@10A+6circuits signal		10A(AWG17),signal(AWG26)	40
M220-0320-04S	3circuits@20A+4circuits signal		20A(AWG14),signal(AWG26)	40
M220-0410-04S	4circuits@10A+4circuits signal		10A(AWG17),signal(AWG26)	40

Technical Specification

Mechanical		Electrical	
Rotating Speed	150RPM	Rated Voltage	0~240VAC/VDC
Working Temp.	-30°C~80°C	Insulation Resistance	≥300MΩ/300VDC
Working Humidity	0~85%RH	Lead Wire Spec.	refer to model list
Contact Material	gold-gold	Lead Wire Length	standard 150mm(can be customized)
Housing Material	plastic	Dielectric Strength	300VAC@50Hz,60s
Torque	0.05N.m (+0.01N.m/6circuits)	Electrical Noise	<0.01 Ω
Working Life	10millions for ref(depends on working conditions)		
IP Grade	IP51		

Color Code of Lead Wire

ring#	1	2	3	4	5	6	7	8	9	10	11	12
color	BLK	BRN	RED	ORG	YEL	GRN	BLU	PUR	GRY	WHT	PINK	LGT BLU
ring#	13	14	15	16	17	18	19	20	21	22	23	24
color	WHT/BLK	WHT/BRN	WHT/RED	WHT/ORG	WHT/YEL	WHT/GRN	WHT/BLU	WHT/PUR	WHT/GRY	BLK/RED	BLK/BRN	Transparent

Remark: "1" : the first wire from rotor side , M125A-06 wire color sequence: BLK/BRN/RED/ORG/YEL/GRN , 24 color wires as one group , if more than 24wires, repeat as sequence , use number tube to tell group 1#, 2#....

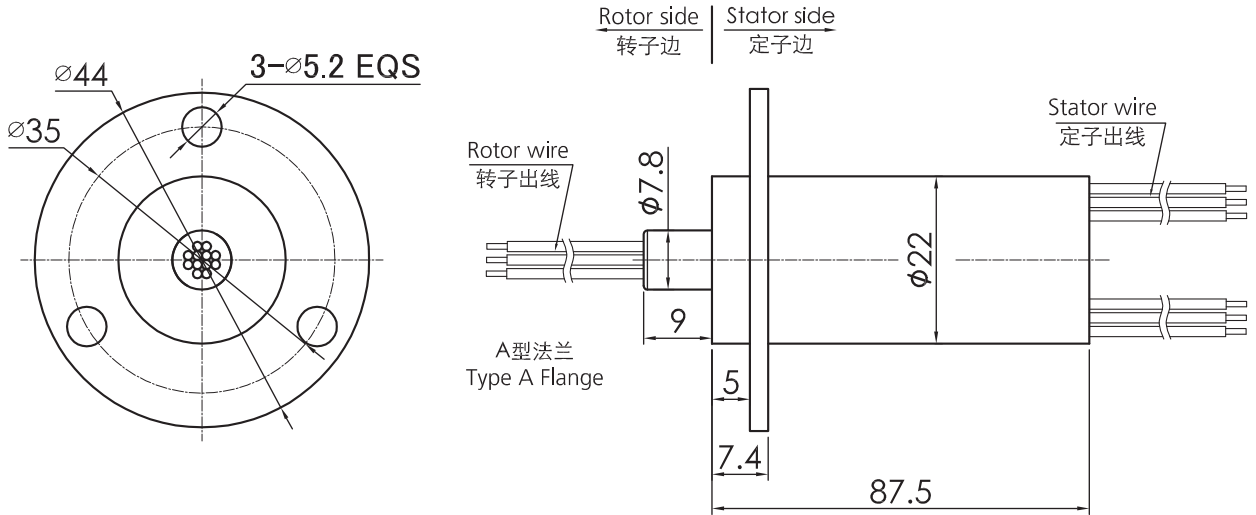
M250 Series Capsule Slip Ring

OD:25mm,56circuits



Part No. Description

M250 - 56	
M:capsule slip ring code 250:OD 25mm	56circuits,2A each



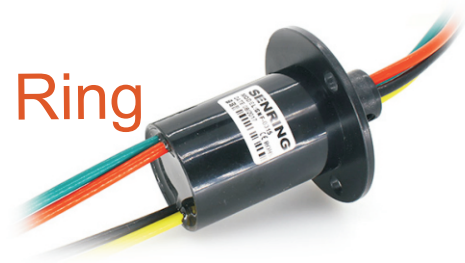
Standard Model List

M250 series model list				
Part no.	Circuits no.	Max current/circuit	Lead spec.	Length L(mm)
M250-56	56	2A	AWG26#teflon, silver plated	87.5

Technical Specification

Mechanical		Electrical	
Rotating Speed	250RPM	Rated Voltage	0~240VAC/VDC
Working Temp.	-30°C~80°C	Insulation Resistance	≥300MΩ/300VDC
Working Humidity	0~85%RH	Lead Wire Spec.	AWG26#teflon,silver plated
Contact Material	gold-gold	Lead Wire Length	standard 150mm(can be customized)
Housing Material	plastic	Dielectric Strength	300VAC@50Hz,60s
Torque	0.05N.m (+0.01N.m/6circuits)	Electrical Noise	<0.01Ω
Working Life	10millions for ref(depends on working conditions)		
IP Grade	IP51		

M300 Series Capsule Slip Ring



OD : 30mm,4~6circuits

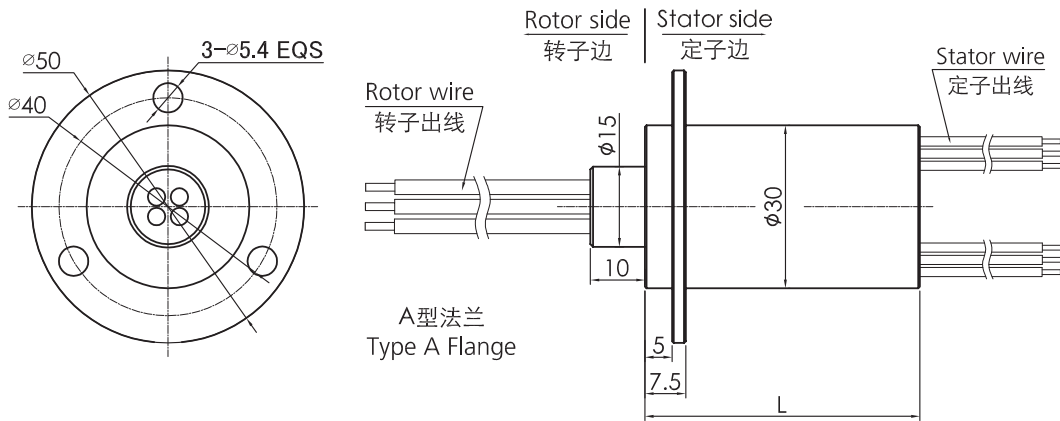
Part No. Description

M300 - circuits no. - current

M:capsule slip ring code
300:OD 30mm

Examples:
30:30A 50:50A

Examples:
04:4circuits 06:6circuits



Standard Model List

M300 series model list				
Part no.	Circuits no.	Max current/circuit	Lead spec.	Length L(mm)
M300-0430	4	30A	AWG12#teflon, silver plated	50
M300-0250	2	50A	AWG12*2#teflon, silver plated	50
M300-0630	6	30A	AWG12#teflon, silver plated	65.7
M300-1210	12	10A	AWG17#teflon, silver plated	74

Technical Specification

Mechanical		Electrical	
Rotating Speed	250RPM	Rated Voltage	0~440VAC/VDC
Working Temp.	-30°C~80°C	Insulation Resistance	≥300MΩ/300VDC
Working Humidity	0~85%RH	Lead Wire Spec.	refer to model list
Contact Material	gold-gold	Lead Wire Length	standard 200mm(can be customized)
Housing Material	metal	Dielectric Strength	300VAC@50Hz,60s
Torque	0.05N.m (+0.01N.m/6circuits)	Electrical Noise	<0.01 Ω
Working Life	10millions for ref(depends on working conditions)		
IP Grade	IP51		

Color Code of Lead Wire

ring #	1	2	3	4	5	6
color	BLK	BRN	RED	ORG	YEL	GRN