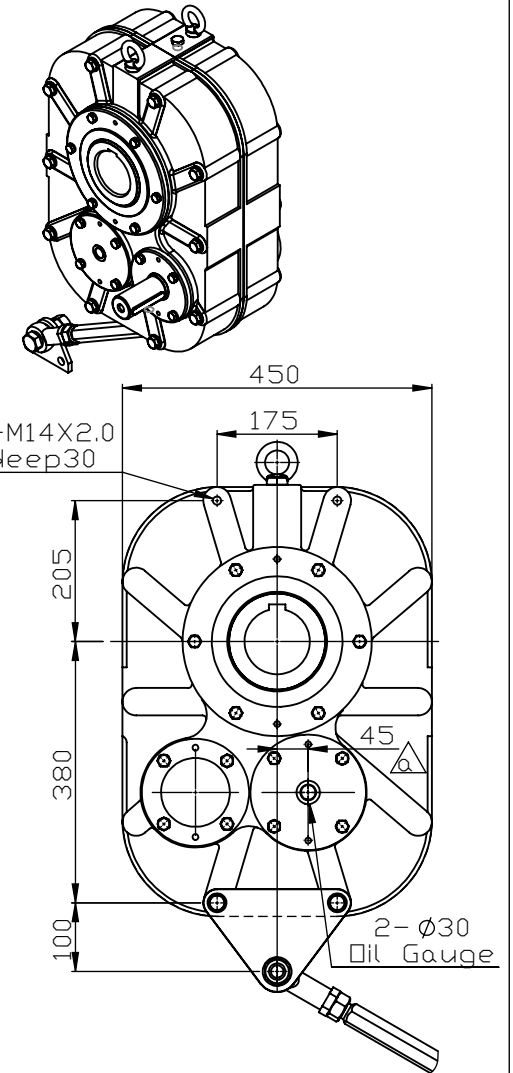
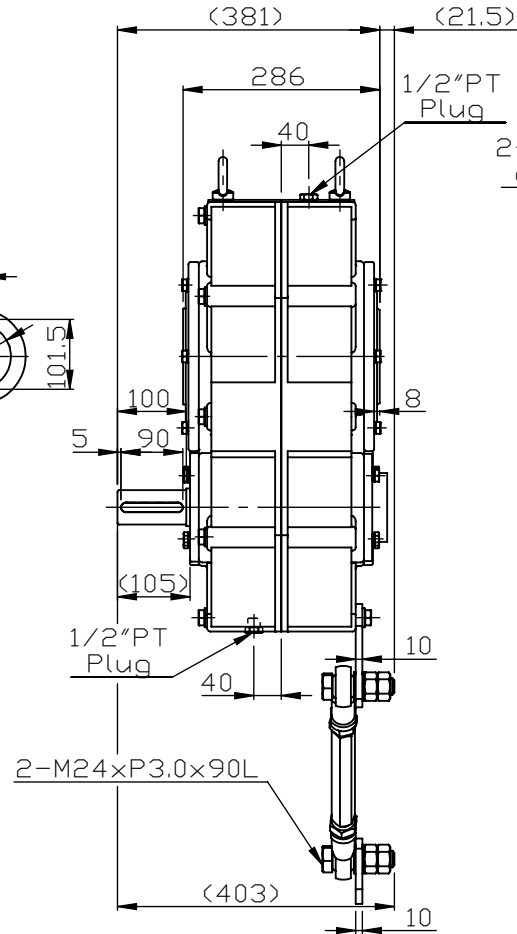
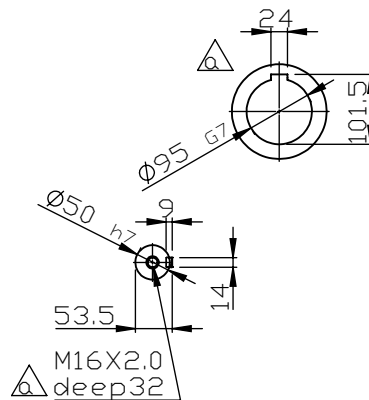
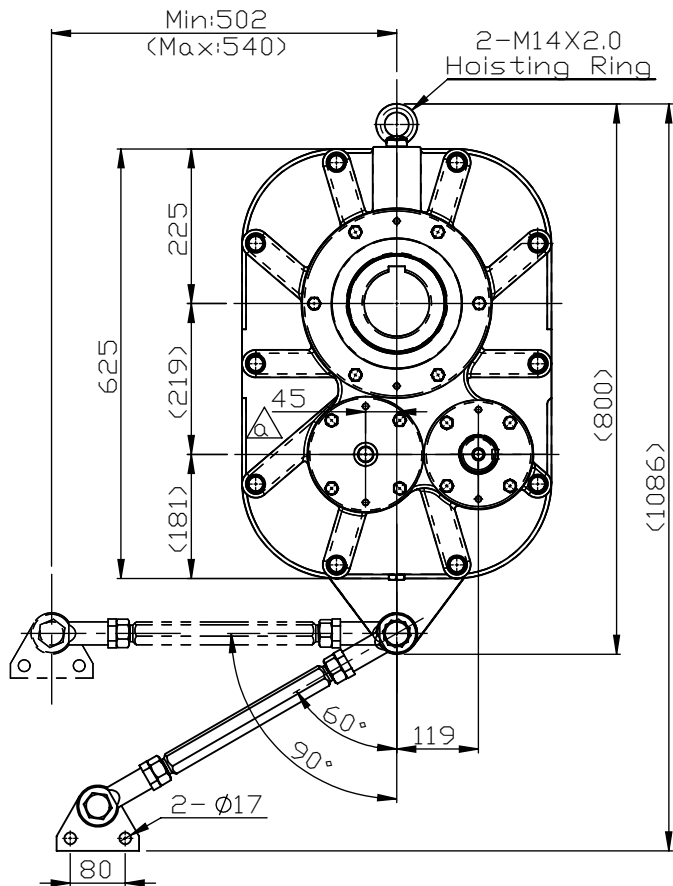

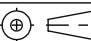


YTK CO.,LTD.
 info@ytk-group.co.jp
 Http://www.ytk-group.co.jp



 LI MING MACHINERY CO., LTD. TITLE SHAFT-MOUNTED GEAR REDUCER SOG SERIES	VARIETY OUTLINE DIMENSION	POWER 40HP,50HP×4P	APPROVED	DATE	NO	REVISION	REVISER	DATE
	DRAWING NO. SOG95P-50-YTK	PATH	EXAMINED	DATE	4	Cancel 12-M8x1.25;Add M16xP2.0;I55 Change 45	PEI-FANG	2024/08/20
	MODEL SOG95	STAGE 2	VERSION 01	CHECKED	DATE			
	RATIO	UNIT mm		DRAWN Guan Jie	DATE 2024/3/12			