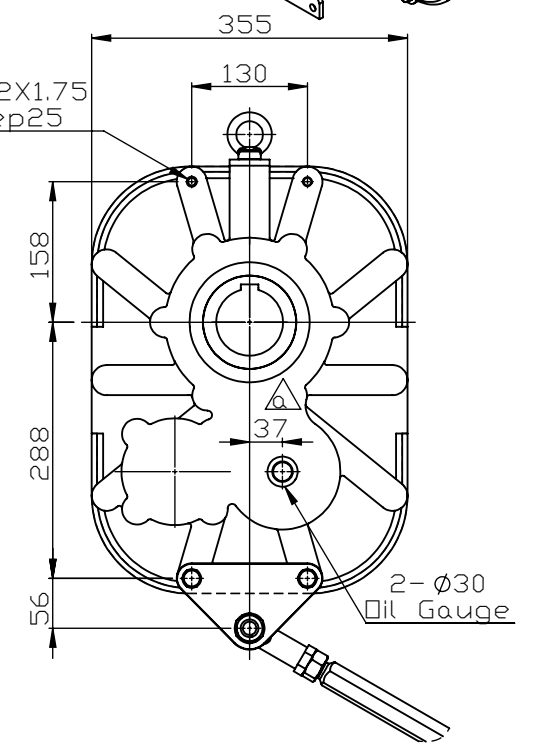
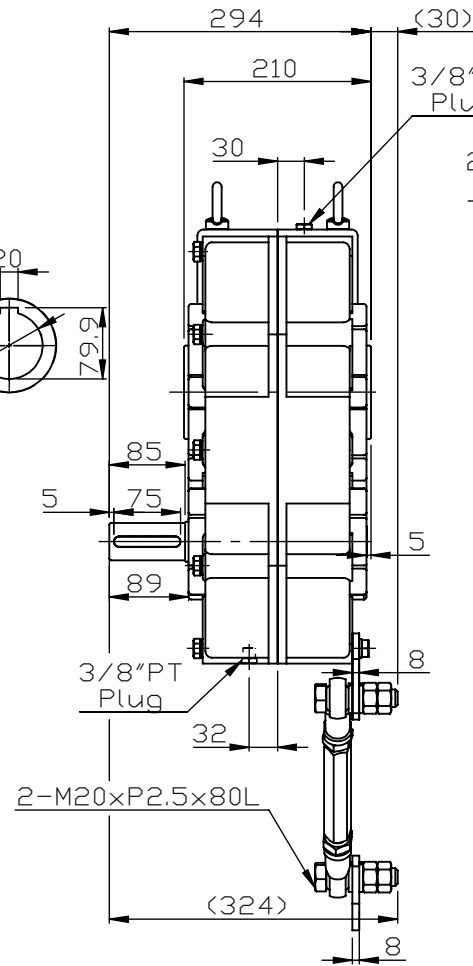
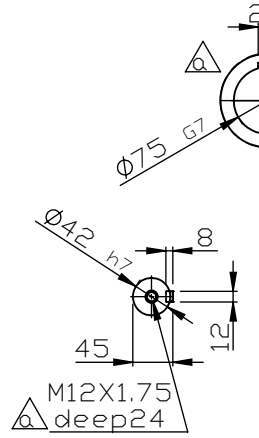
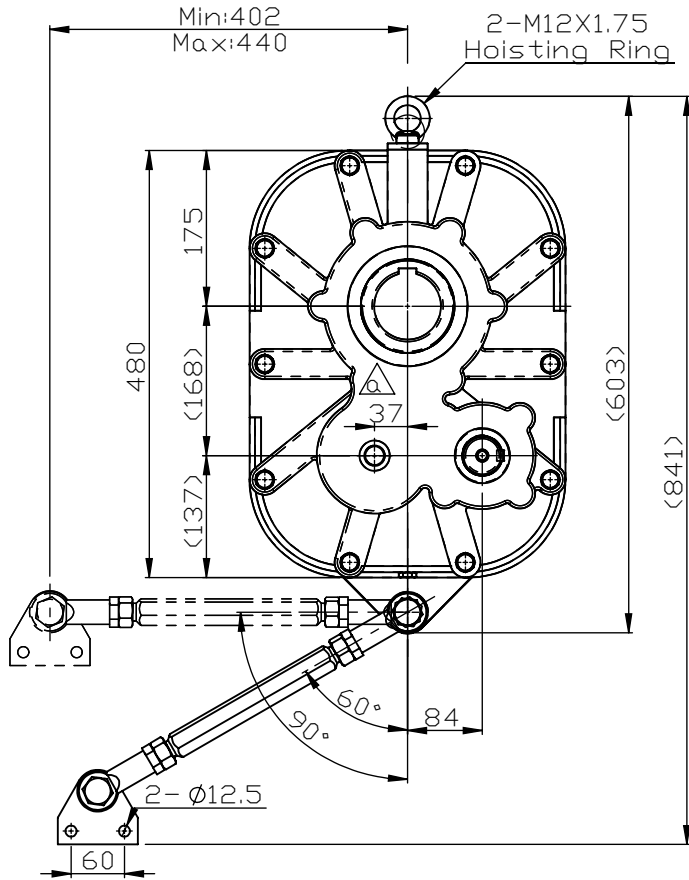
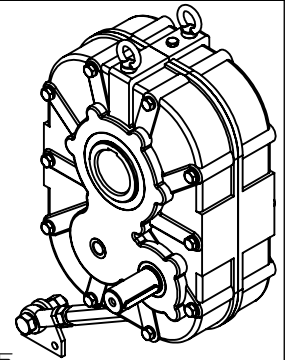


YTK CO.,LTD.
 info@ytk-group.co.jp
 Http://www.ytk-group.co.jp



<p>LI MING MACHINERY CO., LTD.</p> <p>TITLE</p> <p>SHAFT-MOUNTED GRAR REDUCER SOG SERIES</p>	VARIETY	POWER	APPROVED	DATE	NO	REVISION	REVISER	DATE	
	OUTLINE DIMENSION	15HP,20HP×4P	PATH	EXAMINED	DATE	4	Cancel 12-M8x1.25;Add M12xP1.75;127 Change 37	PEI-FANG	2024/08/20
	DRAWING NO. SOG75P-42-YTK	STAGE	VERSION	CHECKED	DATE				
	MODEL SOG75	2	01	DRAWN Guan Jie	DATE 2024/3/12				
RATIO	UNIT mm								