

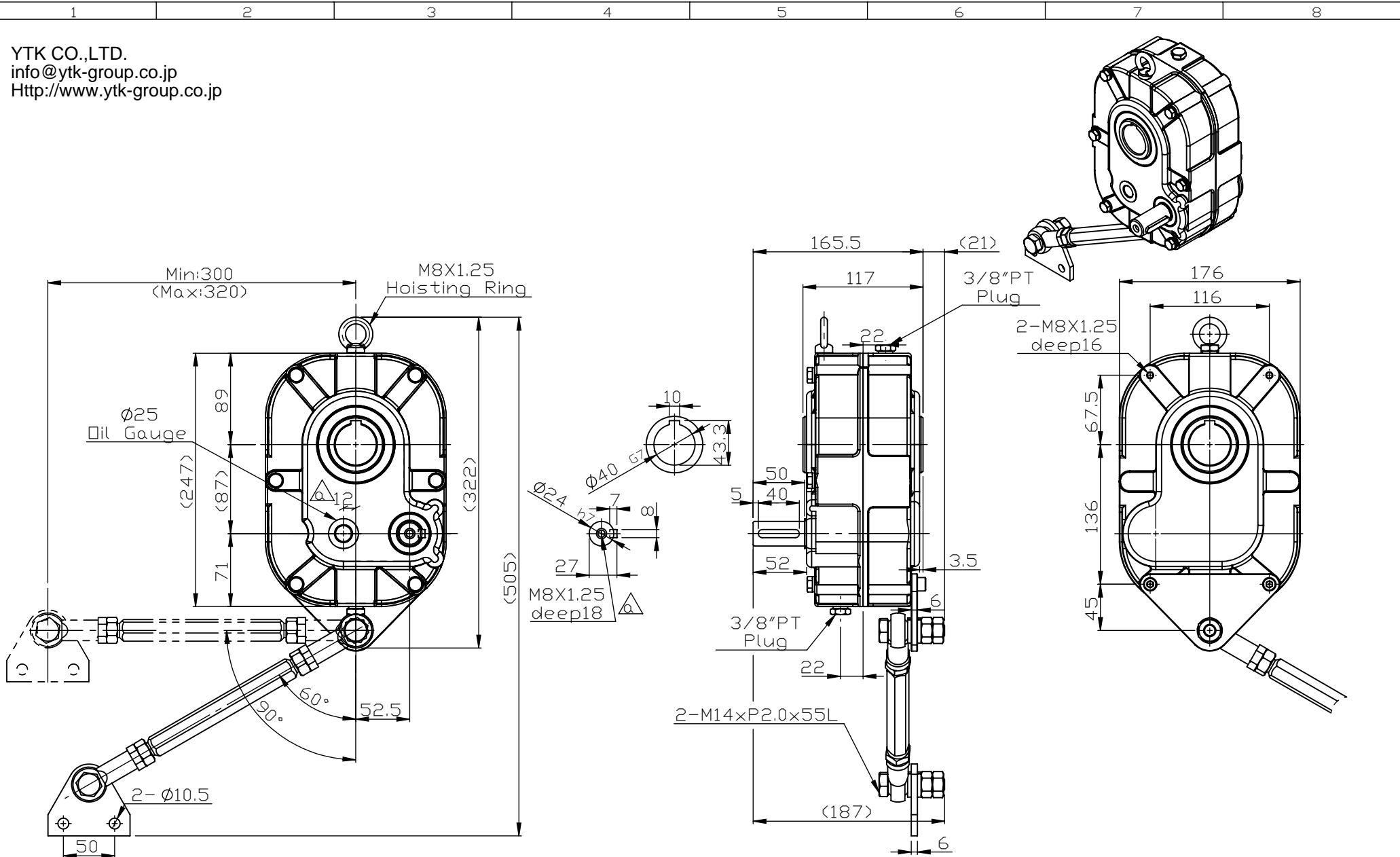
YTK CO.,LTD.
 info@ytk-group.co.jp
 Http://www.ytk-group.co.jp

A

B

C

D



 LI MING MACHINERY CO., LTD.		VARIETY OUTLINE DIMENSION	POWER 2HP×4P	APPROVED	DATE	NO	REVISION	REVISER	DATE
TITLE SHAFT-MOUNTED GEAR REDUCER SOG SERIES		DRAWING NO. SOG40P-24-YTK	PATH	EXAMINED	DATE	2	Add M8xP1.25; 62 Change 12	PEI-FANG	2024/08/20
MODEL SOG40		STAGE 2	VERSION 02	CHECKED	DATE				
RATIO		UNIT mm		DRAWN GuoN Jie	DATE 2024/3/12				