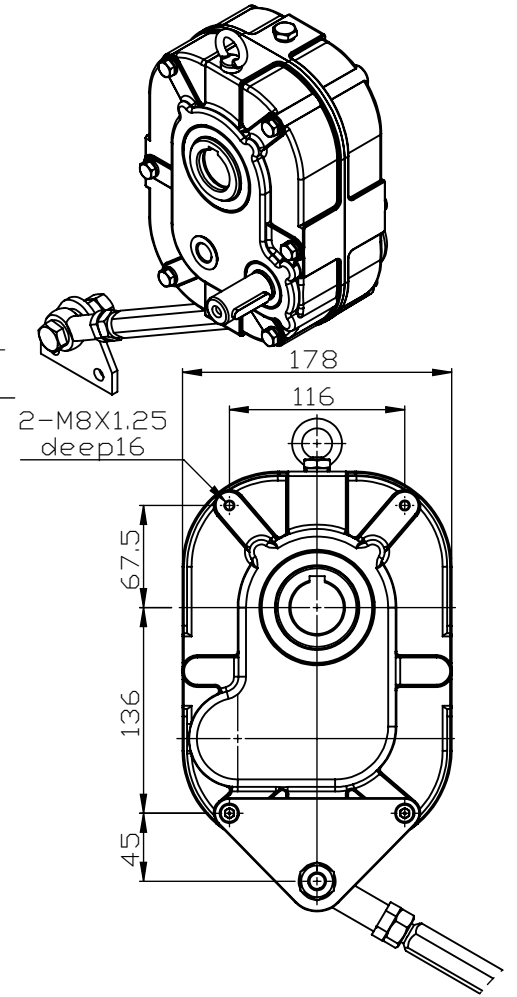
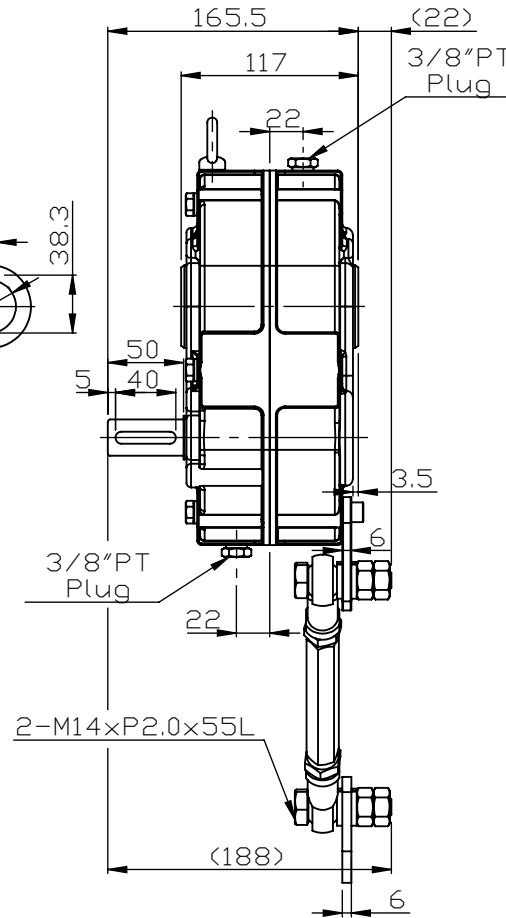
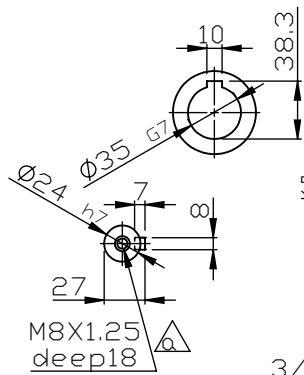
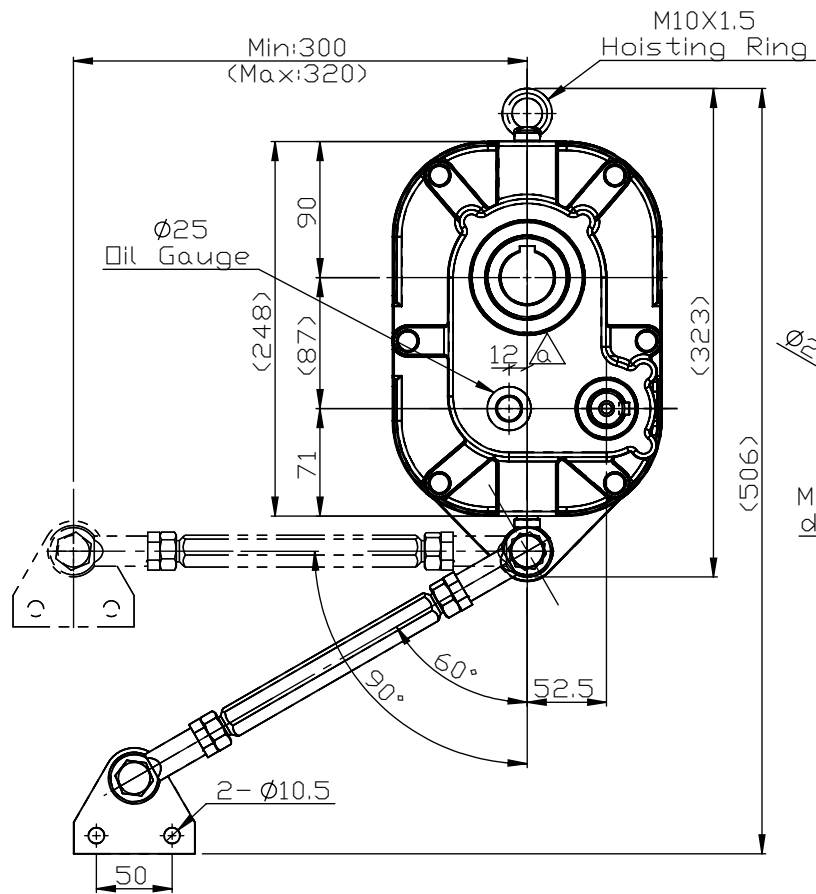


YTK CO.,LTD.
 info@ytk-group.co.jp
 Http://www.ytk-group.co.jp



 LI MING MACHINERY CO., LTD. TITLE SHAFT-MOUNTED GEAR REDUCER SOG SERIES	VARIETY	POWER	APPROVED	DATE	NO	REVISION	REVISER	DATE
	OUTLINE DIMENSION	2HP×4P	EXAMINED	DATE	2	Change Oil Gauge Location; Add M8xP1.25	PEI-FANG	2024/08/20
	DRAWING NO.	PATH	CHECKED	DATE				
	MODEL	STAGE	VERSION	DATE				
	RATIO	UNIT	DRAWN	DATE				
		mm	Guan Jie	2024/3/12				