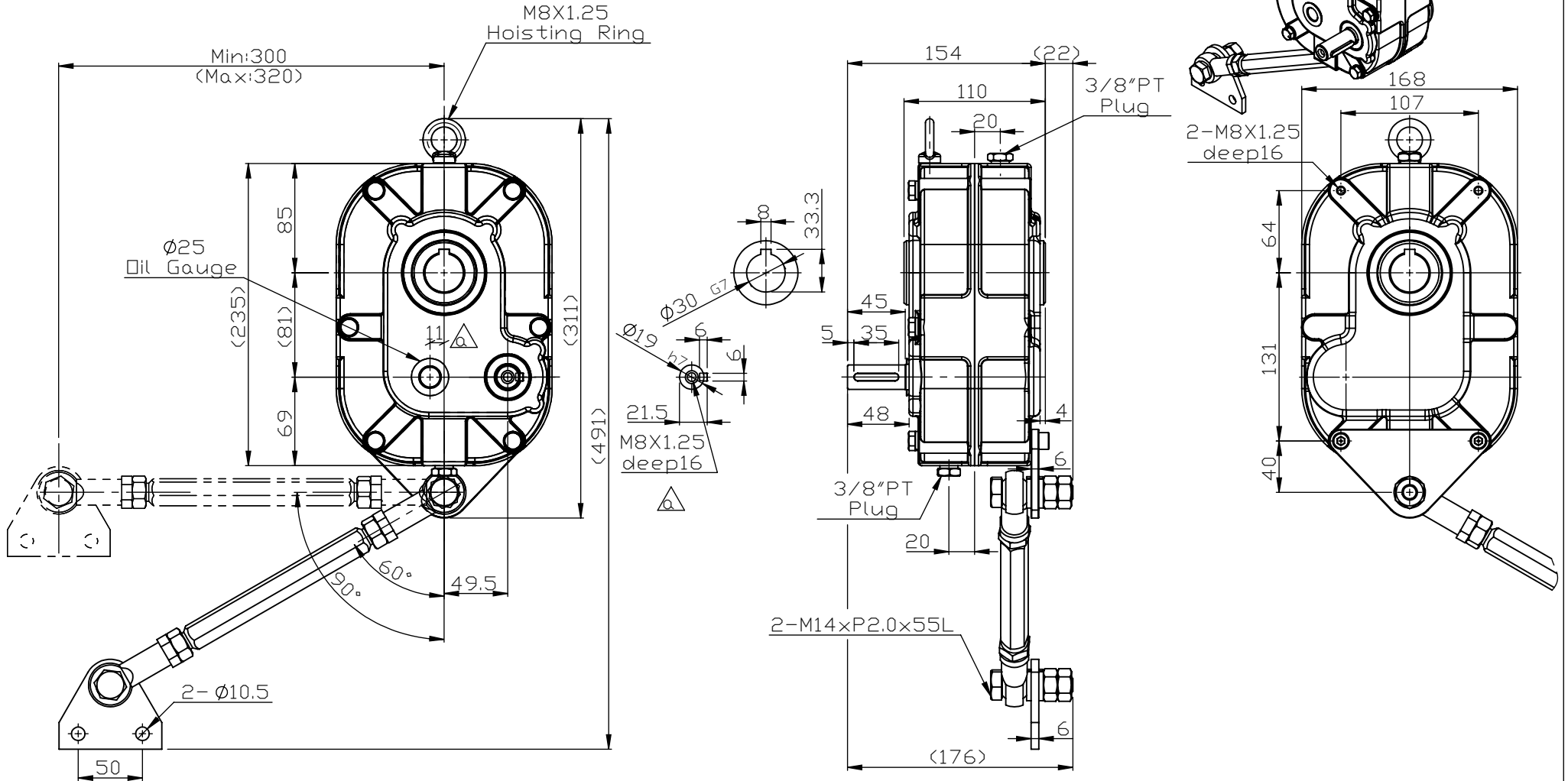



YTK CO.,LTD.
 info@ytk-group.co.jp
 Http://www.ytk-group.co.jp



 LI MING MACHINERY CO., LTD. TITLE SHAFT-MOUNTED GEAR REDUCER SOG SERIES	VARIETY	POWER	APPROVED	DATE	NO	REVISION	REVISER	DATE
	OUTLINE DIMENSION	1HP×4P	EXAMINED	DATE	△2	Change Oil Gauge Location;Add M8×P1.25	PEI-FANG	2024/08/20
	DRAWING NO. SOG30P-19-YTK	PATH	CHECKED	DATE				
	MODEL SOG30	STAGE 2	VERSION 02	DATE				
RATIO	UNIT mm	⊕	DRAWN Guan Jie	DATE 2024/3/14				