

LAP JOINT TYPE DIAPHRAGM SEAL

DT121

DT121 diaphragm seal is designed to be used in highly viscous process media such as pulp, paper, waste treatment, and plastic/chemical process industries. DT121 is easy to assemble with pressure gauges, pressure switches, and pressure instruments.

Technical Data

Instrument connection: female thread 1/2" BSP or NPT

Membrane size: Ø45

Process connection: as drawing

Temperature limited: -40~+150°C cooling element or capillary line up to 350°C

Pressure range limited:

Ø45 Membrane: Maximum up to 40 kg/cm²

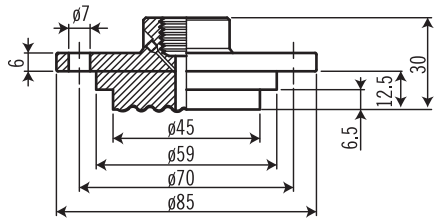
Minimum -1~5 kg/cm², 0~6 kg/cm²

Housing material: SS316 (standard); others on request

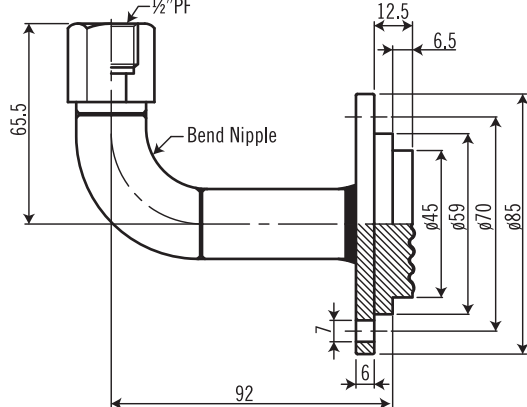
Membrane: SS316L (standard); Options-Hastelloy C276, Tantalum, and others on request.

Dimensions-mm

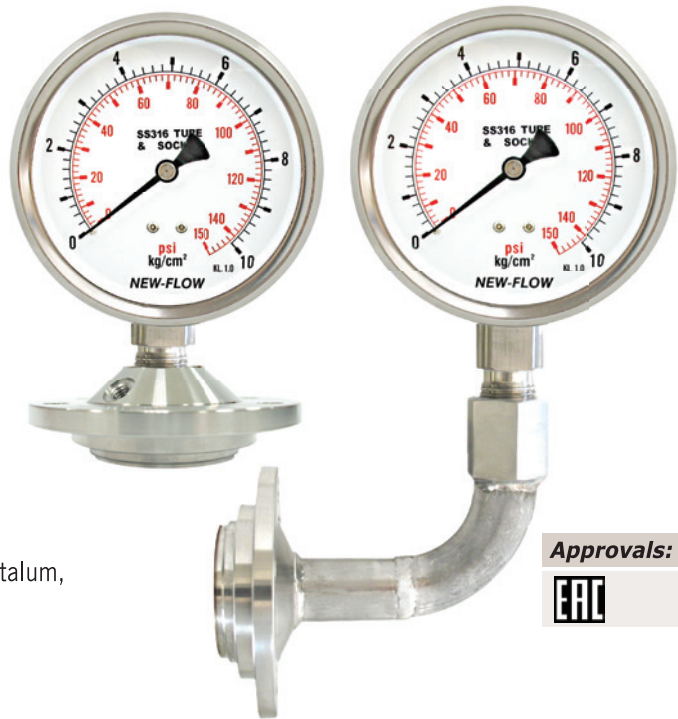
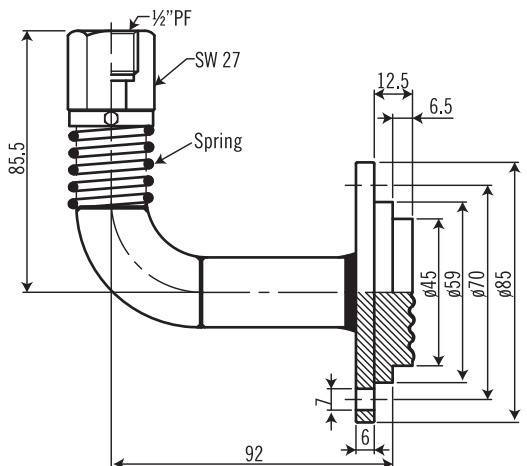
S-Standard Type



LB-With L-Bow 90°



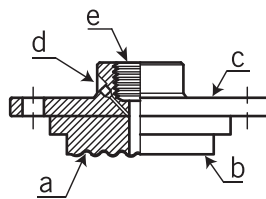
LBS-With L-Bow 90° and Damper (spring)



Approvals:



Parts List



Item	Description of Parts
a	Membrane
b	Insert Body
c	Rotating Flange
d	Filling Port
e	Instrument Connection

Ordering Information

DT121	Code	Type
	S	Standard Type
	LB	With L-Bow 90° Type
	LBS	With L-Bow 90° and Damper (spring)
		Code Instrument Connection (Female)
		(A) 1/2" BSP (B) 1/2" NPT
		Code Membrane Size
	A	Ø45
		Code Housing Material
	S	SS316 (standard)
	O	Option
		Code Membrane Material
	1	SS316L
	2	Hastelloy C276
	3	Tantalum
	4	Option
DT121		