

**ISO 9001**  
REGISTERED

#### DESCRIPTION

DT132 diaphragm seal is made with material including PVC and PVDF to provide to against the acid fluid for application in customers device. It is easy to assemble with pressure gauges, pressure switches and pressure transducers.

**Instrument:** Female thread ¼" to ½" BSP or NPT

**Process connection:** ¼" to ½" BSP or NPT

**Measurement range:** 0~2.5 to 10 bar for Dial ø2" or ø63mm used  
0~4 to 10 bar for Dial: ø4" or ø4½" used

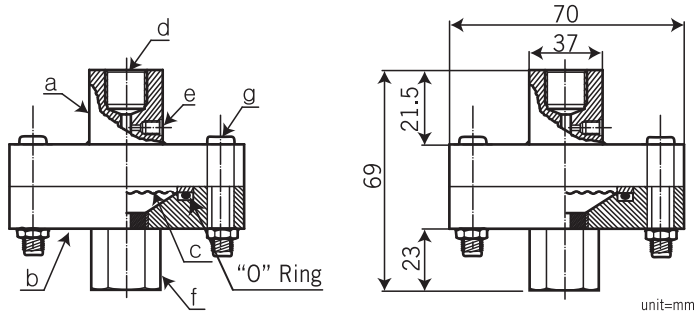
**Max. temperature:** 40°C

**Body material:** PVC and PVDF available

**Membrane material:** EPDM with PTFE foil

#### DIMENSIONS

Item	Description of Parts
a	Upper housing
b	Lower housing
c	Membrane
d	Instrument connection
e	Filling port
f	Process connection
g	Bolt



**NOTE**  
Performance Technical Data are effective with date of issue and are subject to change without prior notice.

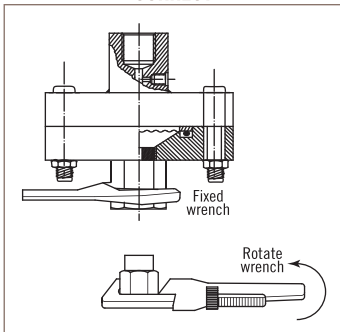


Approvals:

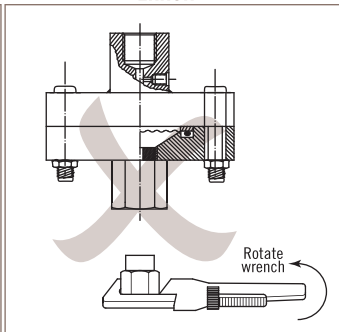


#### CAUTION

**CORRECT**



**ERROR**



**Correct- Use Two Wrenches:**

The body process connection must be fixed by one of the wrench at first, and then rotating the other wrench. This is in order to avoid making the body broken-down.