

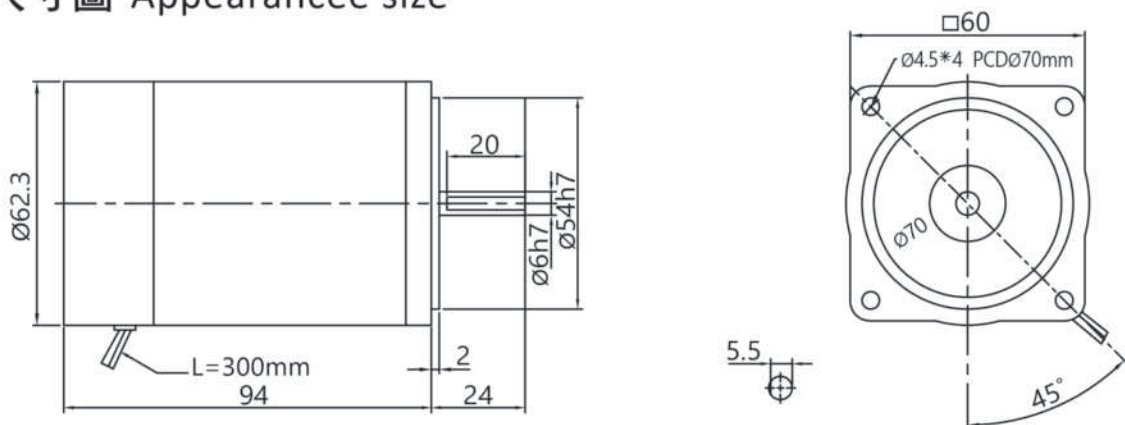
DM4522

| | |
|----------------------------------|----------------------|
| 額定電壓 Rated voltage | DC12 / DC24 / DC90 V |
| 額定轉速 Rated R.P.M | 2000 / 3200 r\min |
| 額定輸出 Rated output power | 15 / 25 W |
| 重量 Weight | 780 g |
| 齒輪箱搭配 Gear head match | IG-62R / IG-60S |
| 轉向 Direction | CW / CCW |
| 噪音 Noise | 50cm - 50db |
| 使用溫度 / 溼度 Using temp. / humidity | -15C~60C / RH85%↓ |
| 防護等級 Grade of protection | IP545 |
| 絕緣等級 Insulation class | E |
| 絕緣抗壓 Voltage resistance | 500V/3mA - 60sec |
| 絕緣阻抗 Insulation resistance | 10MΩ> |

規格表 Specification

| 馬達規格 / Motor Specifications | | | | | | | |
|--|----------|------|------|------|------|-------|------|
| 額定電壓 Rated voltage | V | 12 | | 24 | | 90 | |
| 空載轉速 No load R.P.M | R.P.M. | 2000 | 3200 | 2000 | 3200 | 2000 | 3200 |
| 額定功率 Rated power | W | 15 | 25 | 15 | 25 | 15 | 15 |
| 停動扭力 Stall torque | kgf-cm | 3.98 | 3.91 | 5.38 | 6.23 | 3.91 | 5.3 |
| 空載電流 No load current | A | 0.37 | 0.6 | 0.17 | 0.27 | 0.03 | 0.07 |
| 啟動電流 Starting current | A | 2.79 | 4.1 | 4.36 | 7.5 | 1.06 | 2.54 |
| 最大容許迴轉速 Max. permissible speed | R.P.M. | 2400 | 3800 | 2400 | 3800 | 2400 | 3800 |
| 額定電流 Rated current | A | 2.14 | 4.01 | 0.97 | 1.44 | 0.28 | 0.41 |
| 額定扭力 Rated torque | kgf-cm | 1.07 | 1.35 | 0.93 | 0.92 | 1.05 | 0.89 |
| 額定電壓時最大功率 Rated voltage max power | W | 22.5 | 37.5 | 22.5 | 37.5 | 22.5 | 37.5 |
| 最大效率 Max efficiency | % | 57% | 51% | 63% | 69% | 58% | 68% |
| 扭力係數 Torque constant | kgf-cm/A | 0.50 | 0.33 | 0.95 | 0.63 | 3.75 | 2.17 |
| 端子間阻抗 Terminal resistance phase to phase | Ohm | 4.3 | 2.9 | 5.5 | 3.2 | 84.5 | 35.4 |
| 端子間電感抗 Terminal inductance between phase | Mh | 3.2 | 1.8 | 11.2 | 5.3 | 172.6 | 74.3 |
| 轉速電壓係數 Speed constant | rpm/V | 167 | 267 | 83.3 | 133 | 22.2 | 35.6 |

尺寸圖 Appearance size



動力測試圖 R.P.M performance curve

