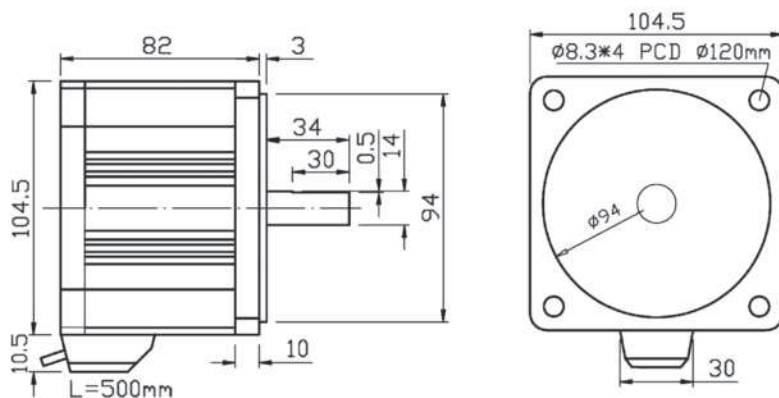
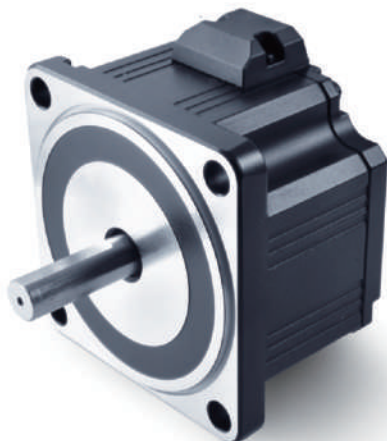
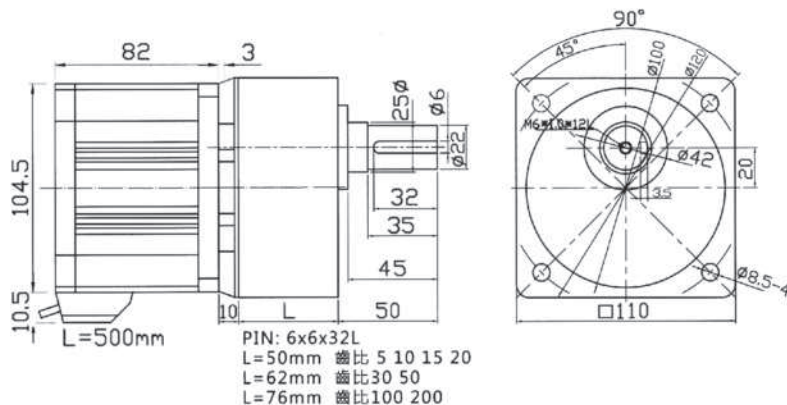


6RB



6RG



6R

額定電壓	Rated voltage	AC220 V
額定轉速	Rated R.P.M	2500 r\min
額定輸出	Rated output power	200 / 400 W
重量	Weight	5.5kg
轉向	Direction	CW / CCW
噪音	Noise	50cm - 50db
使用溫度 / 溼度	Using temp. / humidity	-15C~60C / RH85%↓
防護等級	Grade of protection	IP54S
絕緣等級	Insulation class	E
絕緣抗壓	Voltage resistance	500V/3mA - 60sec
絕緣阻抗	Insulation resistance	10MΩ>

規格表 Specification

額定電壓 Rated voltage		AC220V	
驅動器搭配 Driver system match		DBC220V	
額定轉速 Rated R.P.M	r/min	2500	
最高轉速 Max speed	r/min	3000	
額定輸出 Rated out put	W	200	400
額定轉矩 Rated torque	N/m (kgf-cm)	0.65 (6.5)	1.3 (13)
起動轉矩 Start torque	N/m (kgf-cm)	1.3(13)	2.6(26)
速度控制範圍 Speed control range	r/min	150-3000	
輸入電源 In put			
電壓 Voltage	V	AC220+15%	
額定電流 Rated current	A	2.3	4
最大輸入電流 Max unput current	A	4.2	7.2
轉速變動率 Rating of R.P.M fluctuation			
負載 Loading	±0.5%條件：0 ~ 額定轉矩、轉速、電壓、常溫		
電壓 Voltage	±4%條件：額定電壓±10%、轉速、無負載、常溫		
溫度 Temperature	±3%條件：環境溫度0 ~ +50°C額定轉速、電壓、無負載		

6GS 減速比 6GS reduction ratio	5	10	15	20	30	50	100	200
速度範圍 r/min Speed ratio	20-600	10-300	6.67-200	5-150	3.34-100	2-60	1-30	0.5-15
容許轉矩 Nm Rated torque 200W	2.9	5.9	8.8	11.7	*16.8	*28.0	*52.7	70
容許轉矩 Nm Rated torque 400W	5.9	11.7	17.6	23.4	33.5	55.9	70	70
容許懸吊載重 (軸端 10mm)N Max axis radial load (10mm from axis)	550	550	550	550	1000	1000	1400	1400
容許懸吊載重 (軸端 20mm)N Max axis radial load (20mm from axis)	800	800	800	800	1250	1250	1700	1700
容許推力載重 N Permissible thrust force	200	200	200	200	300	300	400	400
容許負載慣性慣量 10-4kg.m2 Max moment of Inertia	100	460	1000	1700	3900	9300	18000	37000
瞬間停止或反轉 Instantly stop or reverse	37.5	150	338	600	1350	3750	3750	3750

*30/50/100 Contrary to the direction of operation of the motor.

*30/50/100 運轉方向與馬達反方向

動力測試圖 R.P.M performace curve

