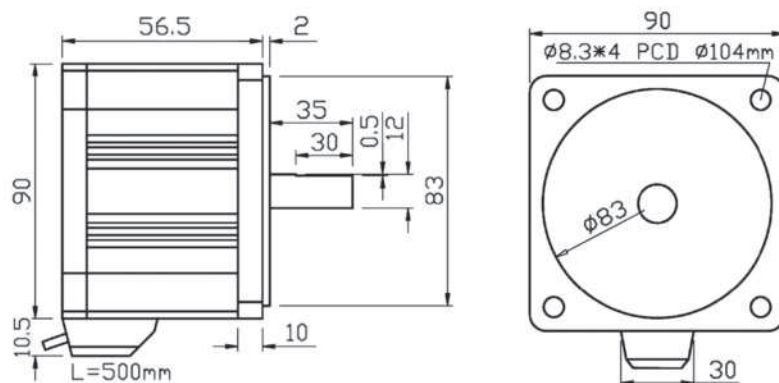
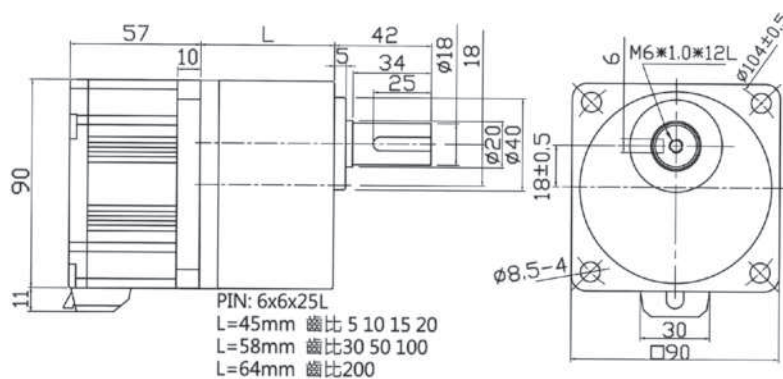


5RB



5RG



5R

額定電壓 Rated voltage	DC24 / AC110 / AC220 V
額定轉速 Rated R.P.M	2500 r\min
額定輸出 Rated output power	100 W
重量 Weight	3.1kg
轉向 Direction	CW / CCW
噪音 Noise	50cm - 50db
使用溫度 / 溼度 Using temp. / humidity	-15C~60C / RH85%↓
防護等級 Grade of protection	IP545
絕緣等級 Insulation class	E
絕緣抗壓 Voltage resistance	500V/3mA - 60sec
絕緣阻抗 Insulation resistance	10MΩ>

規格表 Specification

額定電壓 Rated voltage		DC24V	AC110V	AC220V
驅動器搭配 Driver system match		DBM24V	DBC110V	DBC220V
額定轉速 Rated R.P.M	r/min	2500		
最高轉速 Max speed	r/min	3000		
額定輸出 Rated out put	W	100		
額定轉矩 Rated torque	N/m (kgf-cm)	0.4 (4)		
起動轉矩 Start torque	N/m (kgf-cm)	0.5 (5)		
速度控制範圍 Speed control range	r/min	150~3000		
輸入電源 In put				
電壓 Voltage	V	DC24+10%	AC110+15%	AC220+15%
額定電流 Rated current	A	6	3	1.8
最大輸入電流 Max unput current	A	9	6	3.6
轉速變動率 Rating of R.P.M fluctuation				
負載 Loading	±0.5%條件：0 ~ 額定轉矩、轉速、電壓、常溫			
電壓 Voltage	±4%條件：額定電壓±10%、轉速、無負載、常溫			
溫度 Temperature	±3%條件：環境溫度0 ~ +50°C額定轉速、電壓、無負載			

5GS 減速比 5GS reduction ratio	5	10	15	20	30	50	100	200
速度範圍 r/min Speed ratio	20-600	10-300	6.67-200	5-150	3.34-100	2-60	1-30	0.5-15
容許轉矩 Nm Rated torque	1.8	3.6	5.4	7.2	*10.3	*17.2	*30	30
容許懸吊載重 (軸端 10mm)N Max axis radial load (10mm from axis)	300	400	400	400	500	500	500	500
容許懸吊載重 (軸端 20mm)N Max axis radial load (20mm from axis)	400	500	500	500	650	650	650	650
容許推力載重 N Permissible thrust force	150	150	150	150	150	150	150	150
容許負載慣性慣量 10-4kg.m2 Max moment of inertia	45	190	420	700	1600	4500	12000	25000
瞬間停止或反轉 Instantly stop or reverse	25	100	225	400	900	2500	2500	2500

*30/50/100 Contrary to the direction of operation of the motor.

*30/50/100 運轉方向與馬達反方向

動力測試圖 R.P.M performace curve

