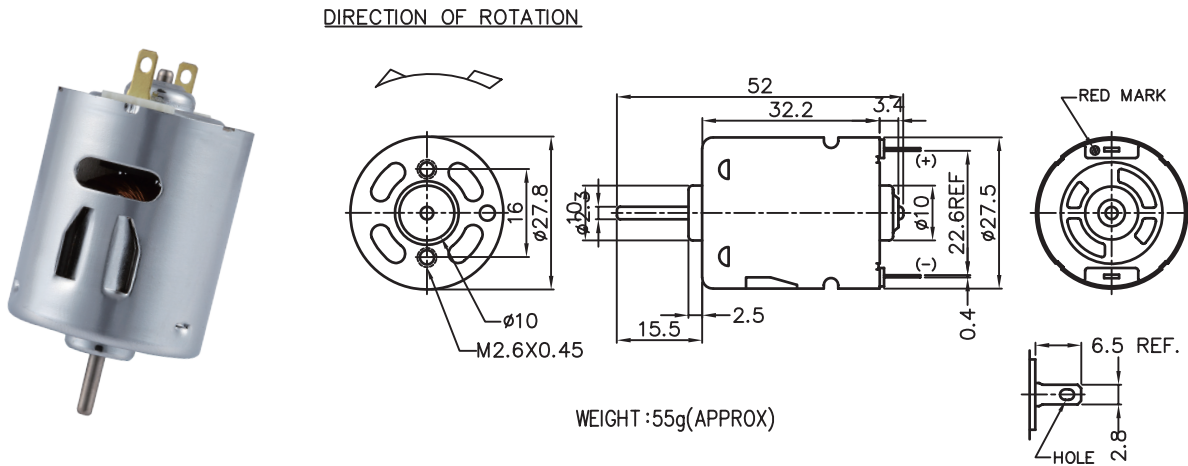


Application : Hair Dryer、Printer、Roomba

用途：吹風機、印表機、吸塵機器人



MODEL	VOLTAGE		NO LOAD		AT MAXIMUM EFFICIENCY						STALL		
	OPERATING RANGE	NOMINAL	SPEED rpm	CURRENT A	SPEED rpm	CURRENT A	TORQUE g-cm	TORQUE mN-m	OUTPUT W	EFF %	CURRENT A	TORQUE g-cm	TORQUE mN-m
MP5FN-2080	6.0-12.0	6.0V CONSTANT	5200	0.16	4000	0.54	41	4.02	1.70	53	2.06	202	19.80
MP5FN-12185	6.0-24.0	12.0V CONSTANT	4800	0.08	3600	0.20	32	3.14	1.21	53	0.67	146	14.31
MS5FN-12210	12.0-24.0	24.0V CONSTANT	8000	0.08	6313	0.24	60	5.88	3.88	73	0.88	276	27.06
MS5FN-16120	12.0-24.0	12.0V CONSTANT	7600	0.10	5800	0.46	48	4.71	2.89	54	1.70	235	23.04

馬達的出軸長度及性能參數，EMC 對策可依客人要求做調整，詳情可詢問相關業務人員。
Please inquire your sales representative for output, performance and EMC solution.

