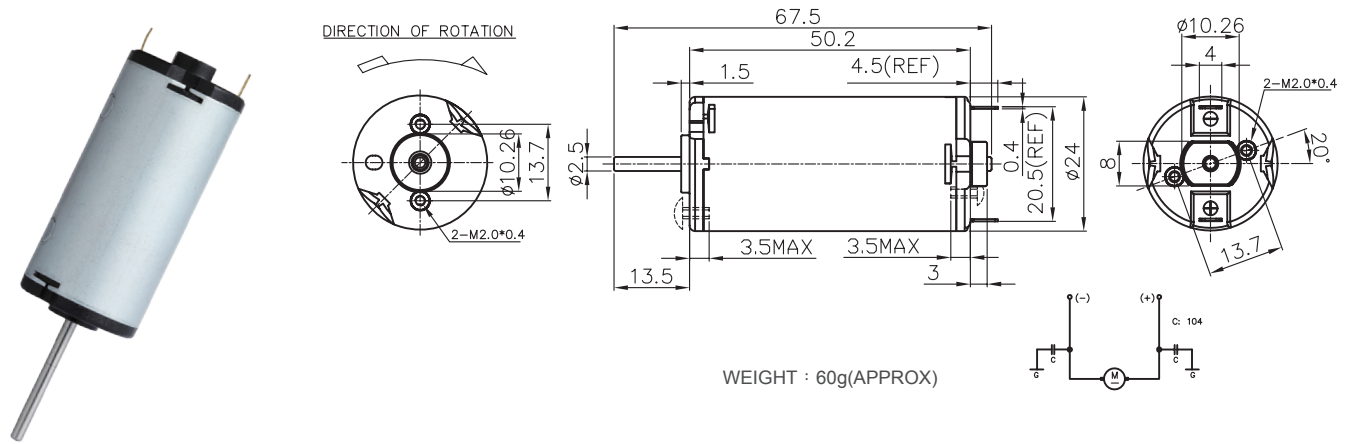


RK-290

Carbon-brush motors

Application : Electric window

用途：電動開窗器



MODEL	VOLTAGE		NO LOAD		AT MAXIMUM EFFICIENCY						STALL		
	OPERATING RANGE	NOMINAL	SPEED	CURRENT	SPEED	CURRENT	TORQUE		OUTPUT	EFF	CURRENT	TORQUE	
			rpm	A	rpm	A	g-cm	mN-m	W	%	A	g-cm	mN-m
RK-290B-17230S-CE	18.5-29.5	24V CONSTANT	7800	0.12	5760	0.53	124.8	12.23	7.38	60	1.85	526	51.56

馬達的出軸長度及性能參數，EMC 對策可依客人要求做調整，詳情可詢問相關業務人員。
Please inquire your sales representative for output, performance and EMC solution.

