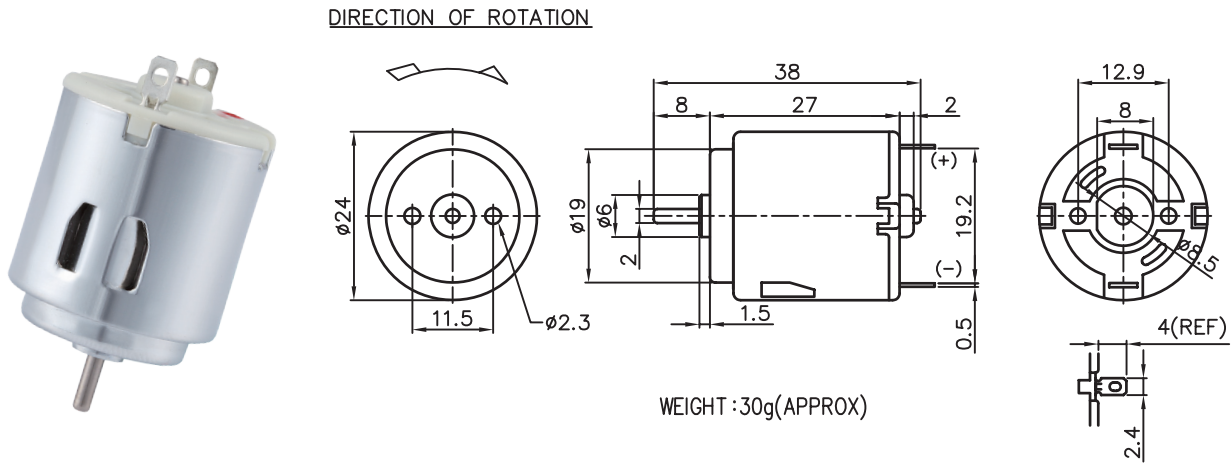


FC-260

Carbon-brush motors

Application : Massager 、 R/C Car

用途 : 電動按摩器、遙控車



MODEL	VOLTAGE		NO LOAD		AT MAXIMUM EFFICIENCY						STALL		
	OPERATING RANGE	NOMINAL	SPEED	CURRENT	SPEED	CURRENT	TORQUE	OUTPUT	EFF	CURRENT	TORQUE		
			rpm	A	rpm	A	g-cm	mN-m	W	%	A	g-cm	mN-m
FC-260-2670-N	3.0 - 4.5	3.0V CONSTANT	10000	0.30	7800	1.09	16.83	1.65	1.35	41.40	3.970	78	7.65
FC-260-18130-N	4.5 - 6.0	4.5V CONSTANT	9200	0.14	7500	0.52	14.84	1.45	1.10	48.76	1.950	70	6.86
FC-260-10350-N	6.0 - 12.0	12.0V CONSTANT	9500	0.06	7200	0.19	14.42	1.41	1.07	46.84	0.600	60	5.88
FC-260-07520-N	12.0 - 24.0	24.0V CONSTANT	12400	0.07	9500	0.14	15.88	1.56	1.56	47.85	0.470	70	6.86

馬達的出軸長度及性能參數，EMC 對策可依客人要求做調整，詳情可詢問相關業務人員。
Please inquire your sales representative for output, performance and EMC solution.

