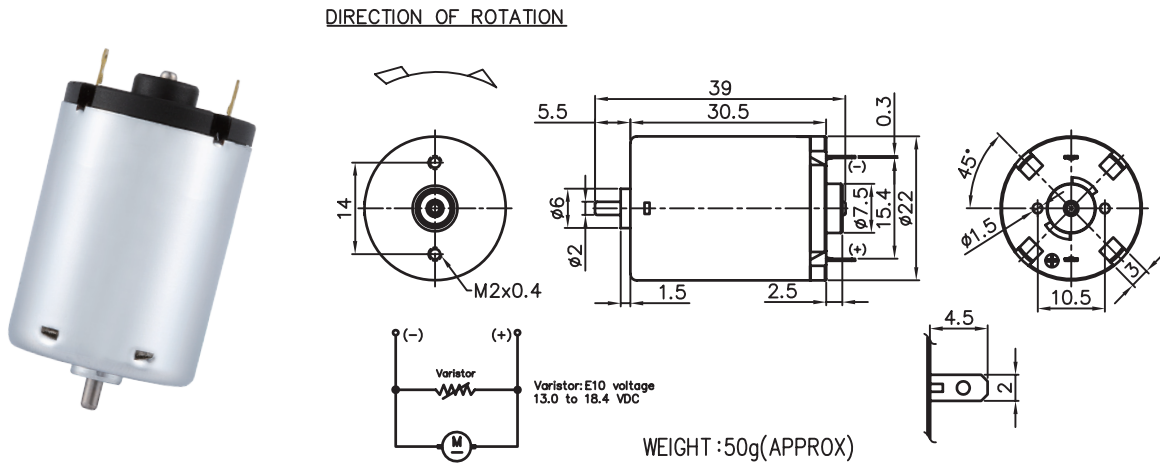


RK-250

Carbon-brush motors

Application : Electric curtains

用途：電動窗簾



MODEL	VOLTAGE		NO LOAD		AT MAXIMUM EFFICIENCY					STALL			
	OPERATING RANGE	NOMINAL	SPEED rpm	CURRENT A	SPEED rpm	CURRENT A	TORQUE g-cm	OUTPUT W	EFF %	CURRENT A	TORQUE g-cm		
RK-250VC-09540	12.0-30.0	24.0V CONSTANT	6000	0.06	4352	0.15	42.68	4.18	1.91	54	0.54	200	19.61
RK-250VC-11360	12.0-28.0	24.0V CONSTANT	9000	0.08	7174	0.23	49.27	4.83	3.63	65	1.19	303	29.71
RK-250VC-12270	6.0-20.0	12.0V CONSTANT	6000	0.09	4482	0.28	42.02	4.12	1.93	60	1.06	200	19.61
RK-250VC-16180	4.5-15.0	12.0V CONSTANT	9000	0.15	7321	0.47	45.40	4.45	3.41	65	2.49	306	30.00

馬達的出軸長度及性能參數，EMC 對策可依客人要求做調整，詳情可詢問相關業務人員。
Please inquire your sales representative for output, performance and EMC solution.

