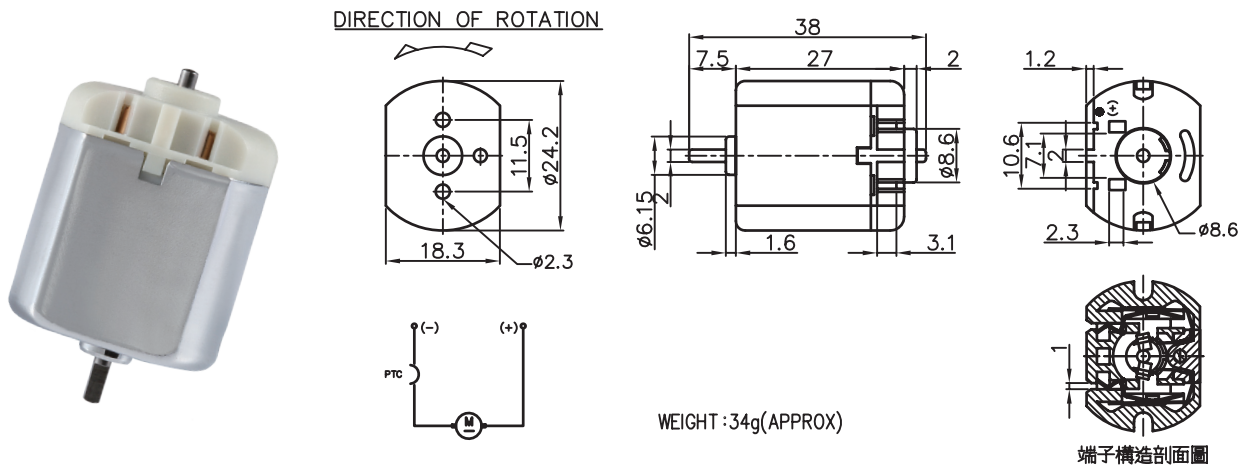


DC-260

Carbon-brush motors

Application : Central Locks

用途：中控鎖



MODEL	VOLTAGE		NO LOAD		AT MAXIMUM EFFICIENCY					STALL			
	OPERATING RANGE	NOMINAL	SPEED rpm	CURRENT A	SPEED rpm	CURRENT A	TORQUE g-cm	OUTPUT mN-m	EFF W	%	CURRENT A	TORQUE g-cm	TORQUE mN-m
DC-260S-19145-N	6.0 - 12.0	8.4V CONSTANT	12000	0.13	9700	0.72	38	3.73	3.83	64	3.45	218	21.37
DC-260S-20140-N	6.0 - 12.0	12.0V CONSTANT	17800	0.18	13600	1.39	60	5.88	8.50	52	5.11	267	26.18
DC-260ST-12300-N	12.0 - 24.0	12.0V CONSTANT	8000	0.06	6100	0.26	23	2.25	1.46	46	0.94	113	11.08
DC-260ST-16240-N	6.0 - 12.0	12.0V CONSTANT	10000	0.09	8100	0.43	35	3.43	2.94	57	1.89	184	18.04

馬達的出軸長度及性能參數，EMC 對策可依客人要求做調整，詳情可詢問相關業務人員。
Please inquire your sales representative for output, performance and EMC solution.

