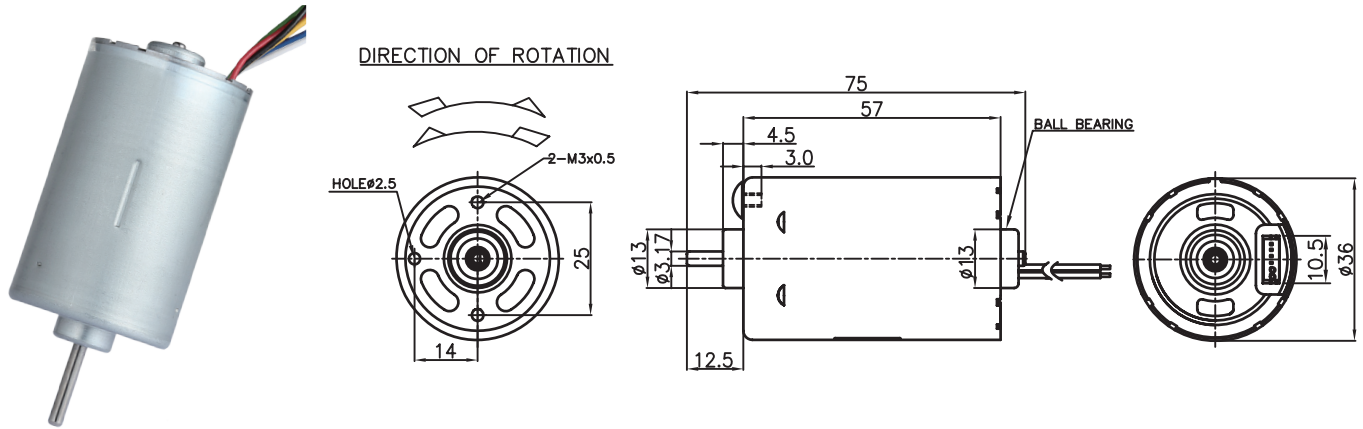


BLDC3657

Brushless Dc Motor

Application : Gear Motor 、 Pump 、 Electric Fan

用途：齒輪箱、泵浦、風扇



WEIGHT : 260g(APPROX)

MODEL	VOLTAGE		NO LOAD		AT MAXIMUM EFFICIENCY					STALL			
	OPERATING RANGE	NOMINAL	SPEED	CURRENT	SPEED	CURRENT	TORQUE	OUTPUT	EFF	CURRENT	TORQUE		
			rpm	A	rpm	A	g-cm	mN-m	W	%	A	g-cm	mN-m
BLDC3657B1W0	-----	12.0V CONSTANT	2700	0.15	2408	0.65	217.6	21.33	5.38	74	4.05	1662.2	162.96
BLDC3657A1W1	-----	21.6V CONSTANT	46000	3.20	40500	13.91	543.0	53.24	223.55	72	107.20	5274.0	517.06

馬達的出軸長度及性能參數，EMC 對策可依客人要求做調整，詳情可詢問相關業務人員。
Please inquire your sales representative for output, performance and EMC solution.

