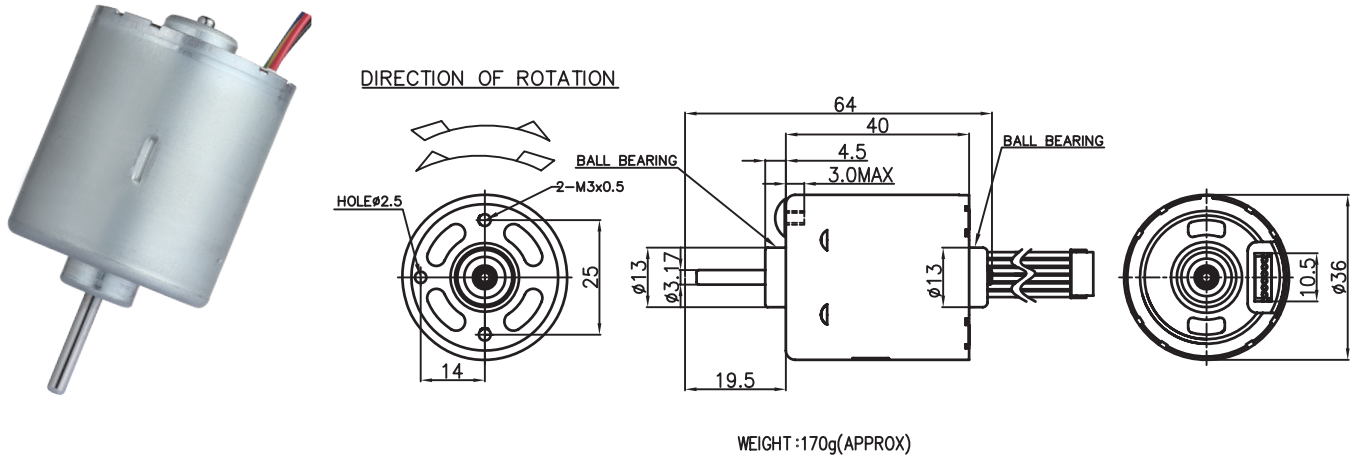


# BLDC3640

Brushless Dc Motor

Application : Gear Motor 、 Pump

用途：齒輪箱、泵浦



MODEL	VOLTAGE		NO LOAD		AT MAXIMUM EFFICIENCY					STALL			
	OPERATING RANGE	NOMINAL	SPEED	CURRENT	SPEED	CURRENT	TORQUE	OUTPUT	EFF	CURRENT	TORQUE		
			rpm	A	rpm	A	g-cm	mN-m	W	%	A	g-cm	mN-m
BLDC3640B1W0	-----	12.0V CONSTANT	8000	0.42	6596	2.05	212	20.78	14.36	62	9.69	1287	126.18
BLDC3640B1W2	-----	24.0V CONSTANT	9000	0.17	7675	1.38	295	28.92	23.25	74	7.37	1859	182.25

馬達的出軸長度及性能參數，EMC 對策可依客人要求做調整，詳情可詢問相關業務人員。  
Please inquire your sales representative for output, performance and EMC solution.

