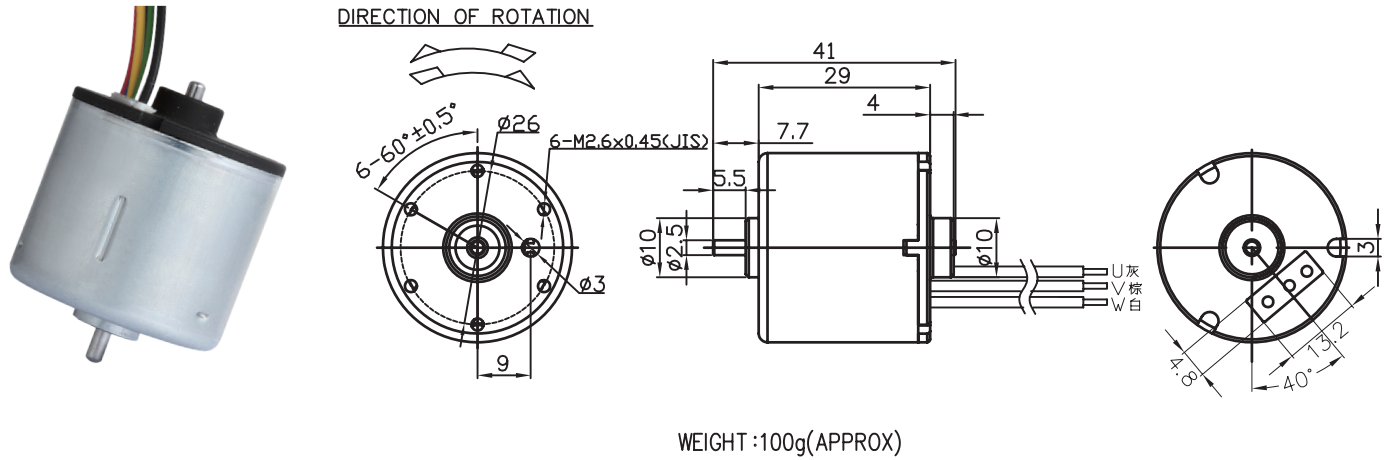


# BLDC3229

Brushless Dc Motor

Application : Tire Pump 、Automotive Water Pump 、Hair Dryer

用途：汽車打氣泵、汽車噴水泵、吹風機



MODEL	VOLTAGE		NO LOAD		AT MAXIMUM EFFICIENCY					STALL			
	OPERATING RANGE	NOMINAL	SPEED	CURRENT	SPEED	CURRENT	TORQUE	OUTPUT	EFF	CURRENT	TORQUE		
			rpm	A	rpm	A	g-cm	mN-m	W	%	A	g-cm	mN-m
BLDC3229B0W0	-----	24.0V CONSTANT	6000	0.72	4864	0.39	90.42	8.86	4.52	65	1.45	499.32	48.95
BLDC3229B1W2	-----	12.0V CONSTANT	4000	0.70	3053	0.36	89.96	8.82	2.82	66	1.42	409.56	40.15

馬達的出軸長度及性能參數，EMC 對策可依客人要求做調整，詳情可詢問相關業務人員。  
Please inquire your sales representative for output, performance and EMC solution.

