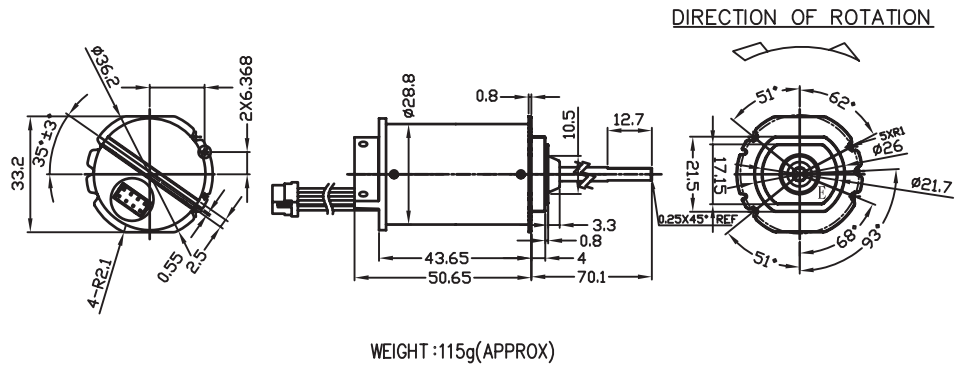


BLDC2944

Brushless Dc Motor

Application : Electric rotating barbecue

用途：電動旋轉燒烤架



MODEL	VOLTAGE		NO LOAD		AT MAXIMUM EFFICIENCY					STALL			
	OPERATING RANGE	NOMINAL	SPEED	CURRENT	SPEED	CURRENT	TORQUE	OUTPUT	EFF	CURRENT	TORQUE		
			rpm	A	rpm	A	g-cm	mN-m	W	%	A	g-cm	mN-m
BLDC2944B1W0	-----	12.0V CONSTANT	3300	0.33	2280	0.69	124	12.16	2.90	37	1.63	431	42.25

馬達的出軸長度及性能參數，EMC 對策可依客人要求做調整，詳情可詢問相關業務人員。
Please inquire your sales representative for output, performance and EMC solution.

Volt Amp Eff(%) W(out) kRPM

20.0	2.0	100	4.0	4.0
18.0	1.8	90	3.6	3.6
16.0	1.6	80	3.2	3.2
14.0	1.4	70	2.8	2.8
12.0	1.2	60	2.4	2.4
10.0	1.0	50	2.0	2.0
8.0	0.8	40	1.6	1.6
6.0	0.6	30	1.2	1.2
4.0	0.4	20	0.8	0.8
2.0	0.2	10	0.4	0.4
0.0	0.0	0	0.0	0.0

