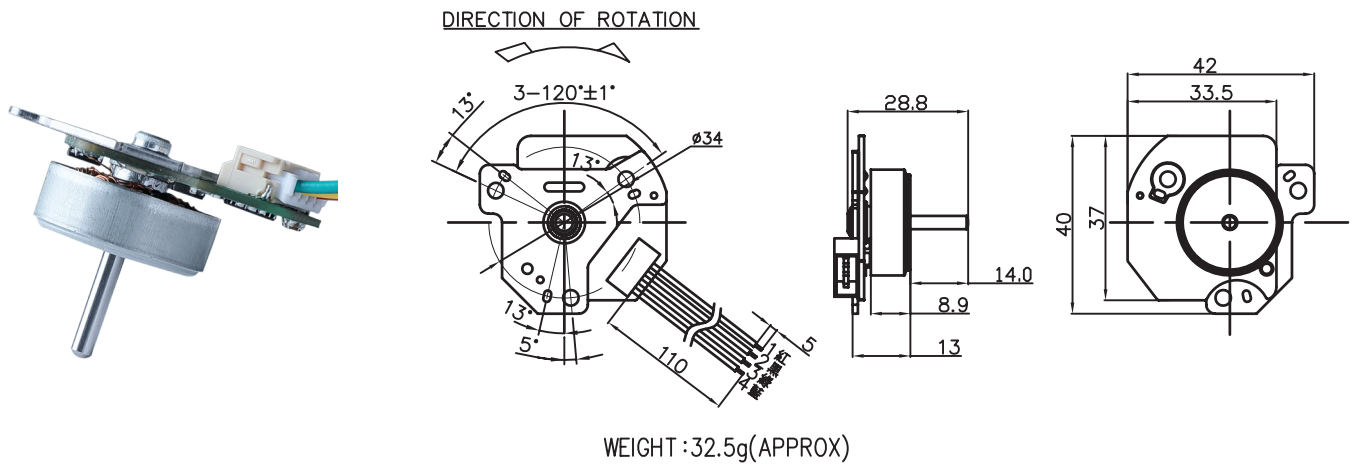


# BLDC2414

Brushless Dc Motor

Application : Roomba

用途：吸塵機器人



MODEL	VOLTAGE		NO LOAD		AT MAXIMUM EFFICIENCY					STALL			
	OPERATING RANGE	NOMINAL	SPEED	CURRENT	SPEED	CURRENT	TORQUE		OUTPUT	EFF	CURRENT	TORQUE	
			rpm	A	rpm	A	g-cm	mN-m	W	%	A	g-cm	mN-m
BLDC2414BOW2-12V-16.5K	-----	12.0V CONSTANT	17270	0.23	13193	1.25	71.13	6.97	9.64	69	5.04	378.47	37.10

馬達的出軸長度及性能參數，EMC 對策可依客人要求做調整，詳情可詢問相關業務人員。  
Please inquire your sales representative for output, performance and EMC solution.

Volt    Amp    Eff(%)    W(out)    kRPM

20.0	6.0	100	20.0	20.0
18.0	5.4	90	18.0	18.0
16.0	4.8	80	16.0	16.0
14.0	4.2	70	14.0	14.0
12.0	3.6	60	12.0	12.0
10.0	3.0	50	10.0	10.0
8.0	2.4	40	8.0	8.0
6.0	1.8	30	6.0	6.0
4.0	1.2	20	4.0	4.0
2.0	0.6	10	2.0	2.0
0.0	0.0	0	0.0	0.0

