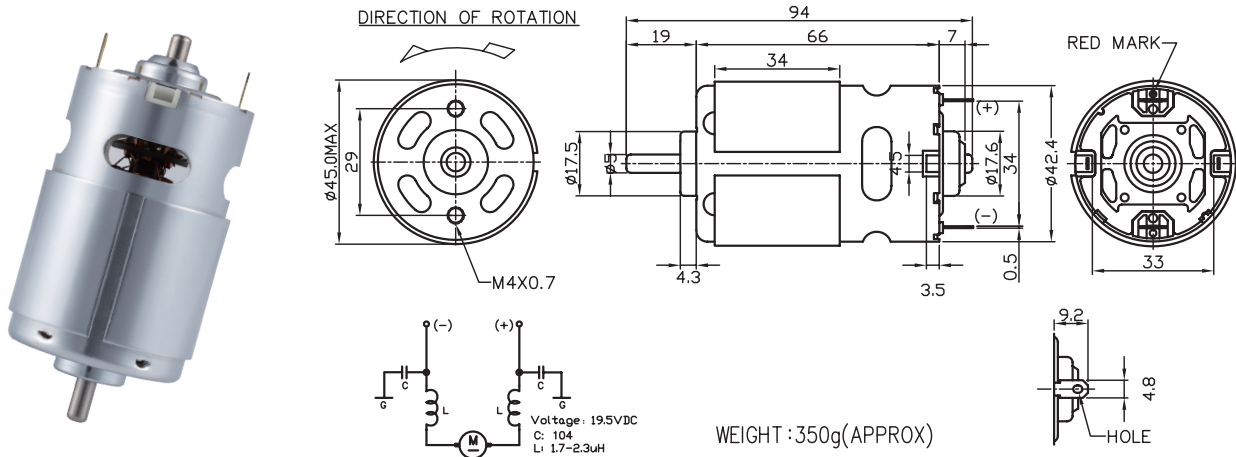


Application : Grass Trimmer 、Circular Saw 、Electric Sprayer

用途：割草機、電動工具、噴霧器



| MODEL      | VOLTAGE         |                | NO LOAD   |           | AT MAXIMUM EFFICIENCY |           |             |             |          | STALL |           |             |             |
|------------|-----------------|----------------|-----------|-----------|-----------------------|-----------|-------------|-------------|----------|-------|-----------|-------------|-------------|
|            | OPERATING RANGE | NOMINAL        | SPEED rpm | CURRENT A | SPEED rpm             | CURRENT A | TORQUE g-cm | TORQUE mN-m | OUTPUT W | EFF % | CURRENT A | TORQUE g-cm | TORQUE mN-m |
| 775-3559   | 6.0 - 36.0      | 24.0V CONSTANT | 7000      | 0.50      | 5862                  | 2.19      | 620         | 61          | 37.32    | 72    | 14.03     | 4519        | 443         |
| 775-6027SF | 18.0 - 36.0     | 36.0V CONSTANT | 21500     | 1.75      | 18618                 | 11.20     | 1446        | 142         | 276.46   | 71    | 71.15     | 10659       | 1045        |
| 775-8513SF | 6.0 - 20.0      | 18.0V CONSTANT | 21000     | 3.30      | 18904                 | 18.55     | 1336        | 131         | 259.37   | 79    | 130.40    | 11170       | 1095        |
| 775-9009F  | 6.0 - 14.0      | 12.0V CONSTANT | 21000     | 2.80      | 18000                 | 21.07     | 1046        | 103         | 193.90   | 77    | 143.70    | 8225        | 806         |

馬達的出軸長度及性能參數，EMC 對策可依客人要求做調整，詳情可詢問相關業務人員。  
Please inquire your sales representative for output, performance and EMC solution.

