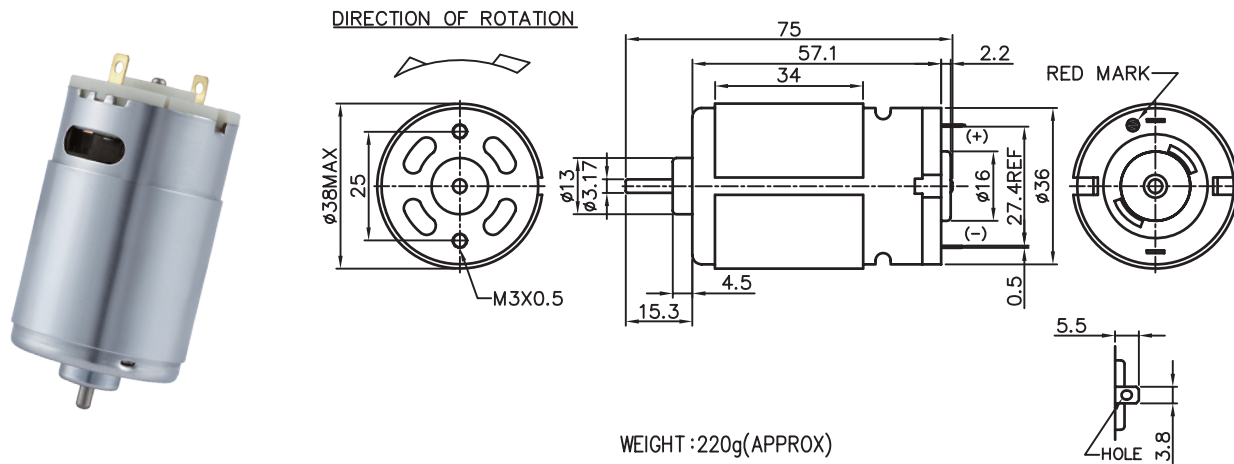


Application : Hair Dryer、Pump、Fan

用途：吹風機、泵浦、風扇



MODEL	VOLTAGE		NO LOAD		AT MAXIMUM EFFICIENCY					STALL			
	OPERATING RANGE	NOMINAL	SPEED rpm	CURRENT A	SPEED rpm	CURRENT A	TORQUE g-cm	TORQUE mN-m	OUTPUT W	EFF %	CURRENT A	TORQUE g-cm	TORQUE mN-m
KS5N-3545	6.0 - 24.0	12.0V CONSTANT	6000	0.30	4598	1.98	303	29.71	14.31	60	8.82	1677	164.41
KS5N-18130	18.0 - 36.0	24.0V CONSTANT	4000	0.09	3300	0.36	156	15.29	5.38	65	2.06	1122	110.00
KP5N-3732	6.0 - 20.0	12.0V CONSTANT	8400	0.80	6262	4.28	434	42.55	27.91	55	16.11	2002	196.27
KP5N-2682	12.0 - 36.0	24.0V CONSTANT	6600	0.20	5790	0.83	242	23.73	14.37	73	5.62	1927	188.92

馬達的出軸長度及性能參數，EMC 對策可依客人要求做調整，詳情可詢問相關業務人員。
Please inquire your sales representative for output, performance and EMC solution.

