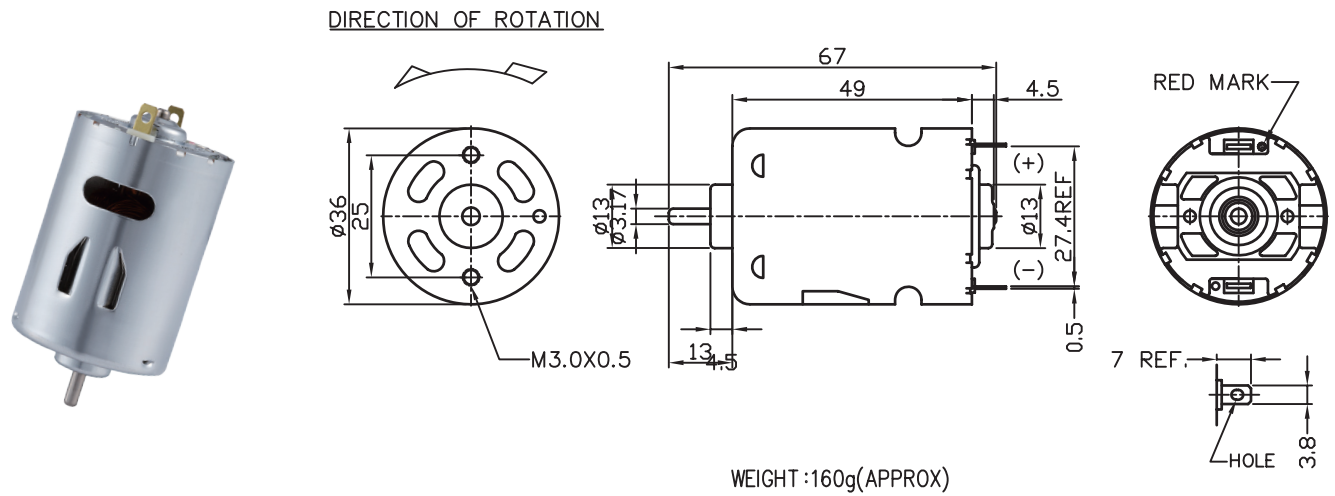


H5FN

Carbon-brush motors

Application : Massager 、 Vacuum Cleaner 、 Drill & Screwdriver 、 Printer

用途：電動按摩器、吸塵器、電動工具、印表機



MODEL	VOLTAGE		NO LOAD		AT MAXIMUM EFFICIENCY						STALL		
	OPERATING RANGE	NOMINAL	SPEED	CURRENT	SPEED	CURRENT	TORQUE	OUTPUT	EFF	CURRENT	TORQUE		
			rpm	A	rpm	A	g-cm	mN-m	W	%	A	g-cm	mN-m
HP5FN-19140	12.0 - 24.0	24.0V CONSTANT	5200	0.13	4191	0.46	180	17.65	7.76	74	2.42	1095	107.35
HS5FN-19130	12.0 - 24.0	12.0V CONSTANT	2800	0.10	2100	0.44	126	12.35	2.81	54	1.65	589	57.75
HP5FN-2670	12.0 - 24.0	24.0V CONSTANT	10600	0.70	8600	1.93	311	30.49	27.69	60	9.05	1739	170.49
HP5FN-3250	12.0 - 24.0	12.0V CONSTANT	7400	0.32	6200	1.76	219	21.47	13.96	66	9.83	1451	142.25

馬達的出軸長度及性能參數，EMC 對策可依客人要求做調整，詳情可詢問相關業務人員。
Please inquire your sales representative for output, performance and EMC solution.

