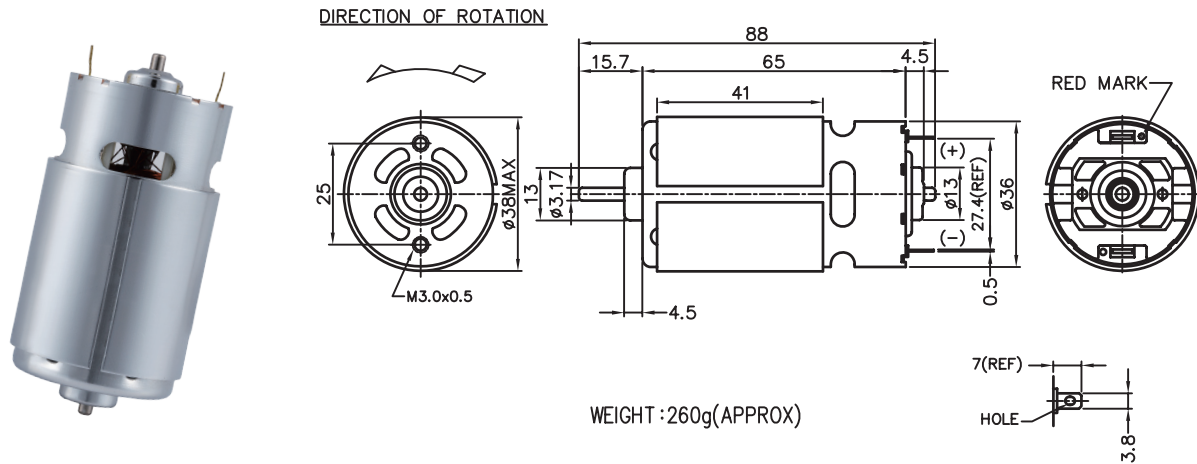


N5FN

Carbon-brush motors

Application : Drill & Screwdriver 、 Motorized Toy

用途：電動工具、玩具



MODEL	VOLTAGE		NO LOAD		AT MAXIMUM EFFICIENCY					STALL			
	OPERATING RANGE	NOMINAL	SPEED rpm	CURRENT A	SPEED rpm	CURRENT A	TORQUE g-cm	OUTPUT mN-m	EFF W	%	CURRENT A	TORQUE g-cm	TORQUE mN-m
ND5FN-3738	12.0 - 24.0	24.0V CONSTANT	12300	0.40	10900	2.60	452	44.31	50.89	77	22.65	4220	413.73
NS5BFN-16190	12.0 - 36.0	24.0V CONSTANT	2750	0.09	2199	0.24	155	15.18	3.49	68	1.18	958	93.92
NC5FN-3545	12.0 - 36.0	36.0V CONSTANT	15600	0.30	14300	2.14	415	40.69	21.85	80	21.85	4578	448.82
NC5FN-3550	12.0 - 36.0	12.0V CONSTANT	4400	0.25	3700	1.40	313	30.69	12.03	72	8.49	2214	217.06

馬達的出軸長度及性能參數，EMC 對策可依客人要求做調整，詳情可詢問相關業務人員。
Please inquire your sales representative for output, performance and EMC solution.

