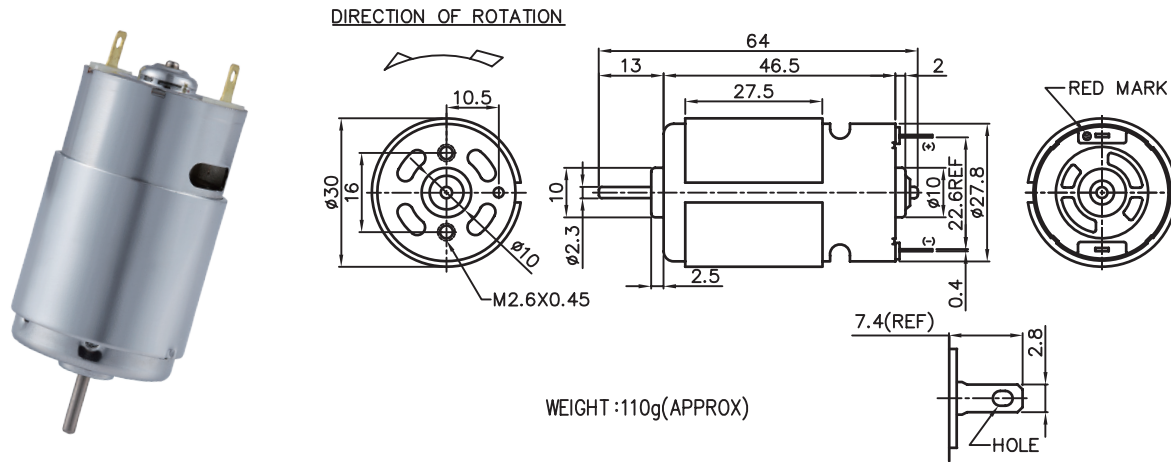


Application : Plastic Model、Drill & Screwdriver

用途：模型、電動工具



MODEL	VOLTAGE		NO LOAD		AT MAXIMUM EFFICIENCY					STALL			
	OPERATING RANGE	NOMINAL	SPEED	CURRENT	SPEED	CURRENT	TORQUE	OUTPUT	EFF	CURRENT	TORQUE		
			rpm	A	rpm	A	g-cm	mN-m	W	%	A	g-cm	mN-m
JD3FN-5025	4.8 - 9.6	9.6V CONSTANT	25500	1.40	21800	7.75	230	22.55	51.68	70	47.75	1673	164.02
JD3FN-5518	3.6 - 6.0	6.0V CONSTANT	20800	1.20	17600	8.76	209	20.49	37.98	72	50.84	1371	134.41
JD3FN-4035	6.0 - 14.4	14.4V CONSTANT	26500	0.90	22222	5.37	242	23.73	55.16	72	32.95	1718	168.43
JD3FN-6512	2.4 - 3.6	3.6V CONSTANT	20000	2.00	16340	8.89	113	11.08	18.89	59	40.05	626	61.37

馬達的出軸長度及性能參數，EMC 對策可依客人要求做調整，詳情可詢問相關業務人員。  
Please inquire your sales representative for output, performance and EMC solution.

